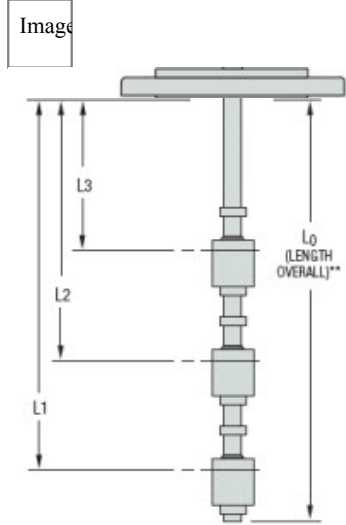


LEVEL SWITCHES

Part No. W1059319
 Unit Price \$1076
 Lead Time 15
 (Business Days)



Technical Specifications	
Specific Gravity:	1
Max. Pressure:	50
Operating Temp.:	100
Mounting Type:	(C) 3" 150# Flange
Switch Type:	SPDT, 20VA
Wiring Group:	Group 4 - Independent Return
Number of Levels:	3
Electrical Connection:	Junction Box
Float Material:	PVC
Media Type	Water

Ordering Information	
Part Number:	W1059319
List Price:	\$1076
Lead Time:	15 Business Days
Min. Order Quantity:	1
Shipping Weight:	10.35 lbs.
Model Description:	LSP-800-C-PVC-SPDT-020-4-3

Dimensional Specifications	
L3:	15" NO
L2:	19" NO
L1:	30" NO
L0:	32.688"

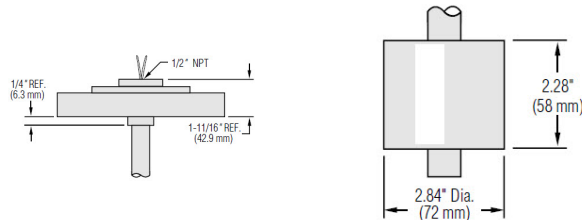


Image: LSP-800_dimensio