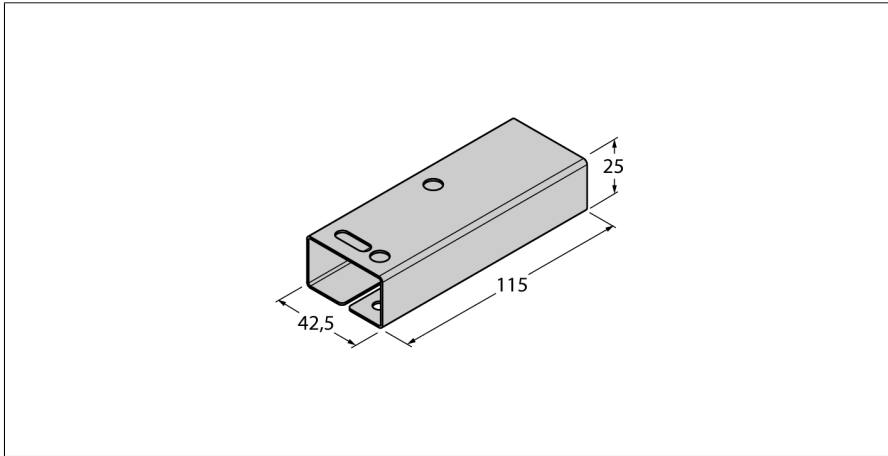


Accessories

Protective housing

For Inclinometers

GUARD-Q20L60



- Protective housing for Q20L60 inclinometers
- Material: Stainless steel, 1.4301
- For harsh environments
- Protects against mechanical impact such as falling rocks

Type designation	GUARD-Q20L60
Ident-No.	A9684
Design	Accessories for rectangular types
Dimensions	115 x 42.5 x 25 mm
Housing material	Stainless steel, V2A (1.4301)