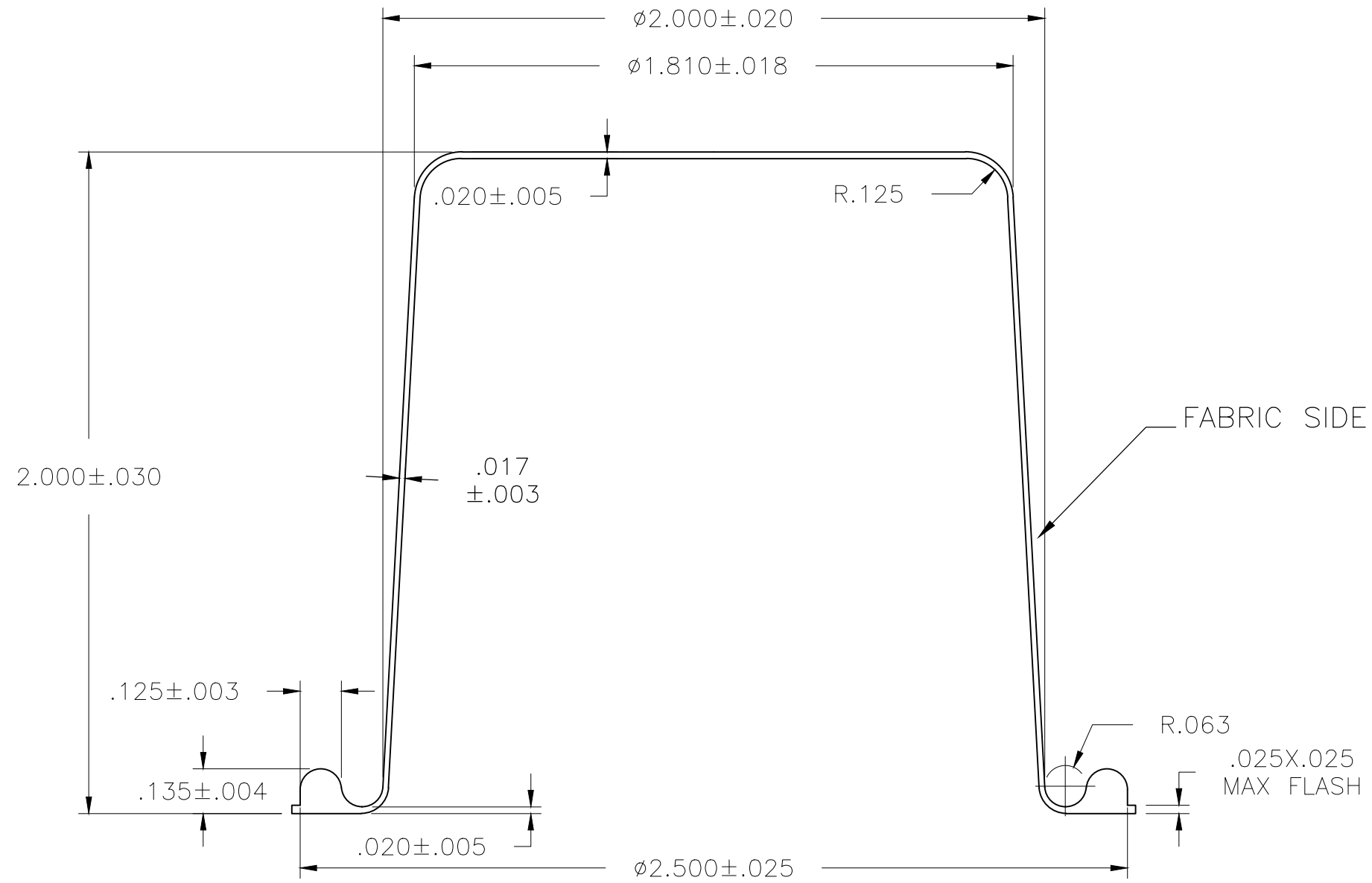
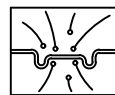
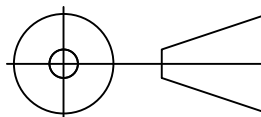


R E V I S I O N S

REV	DESCRIPTION	DATE	APPROVED
-	-	-	



FRACTIONAL ϵ 1/64 DECIMAL XX ϵ .010 XXX ϵ .001 ANGULAR ϵ 15°	MATERIAL		 Bellofram CORPORATION P. O. BOX 305 ST. ROUTE 2 NEWELL, W.V. 26050	
	DRAWN BY MEW	DATE 4/28/20		
 THIRD ANGLE PROJECTION	CHECKED BY	CUSTOMER	PART NO.	
	APPROVED BY	APPROVED BY	SIZE B	DRAWING NO. SK-042820-1
DIMENSIONS IN INCHES	APPROVED BY	SCALE	SHEET 1 OF 1	

THIS DRAWING IS THE PROPERTY OF BELLOFRAM CORPORATION AND DELIVERED ON THE EXPRESS CONDITION THAT IT IS NOT TO BE DISCLOSED, REPRODUCED IN WHOLE OR IN PART, OR USED FOR MANUFACTURE FOR ANYONE OTHER THAN BELLOFRAM CORPORATION WITHOUT ITS WRITTEN CONSENT, AND THAT NO RIGHT IS GRANTED TO DISCLOSE OR SO USE ANY INFORMATION CONTAINED IN SAID DOCUMENT. THIS RESTRICTION DOES NOT LIMIT THE RIGHT TO USE INFORMATION OBTAINED FROM ANOTHER SOURCE.