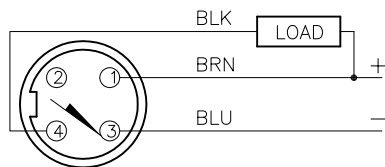


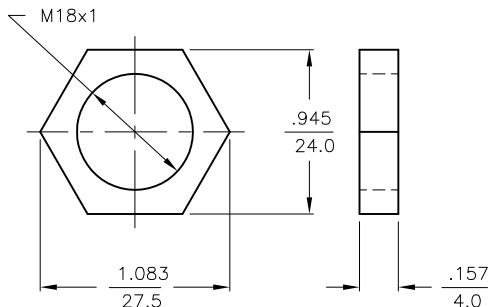
WIRING DIAGRAMS



OUTPUT: AN6X

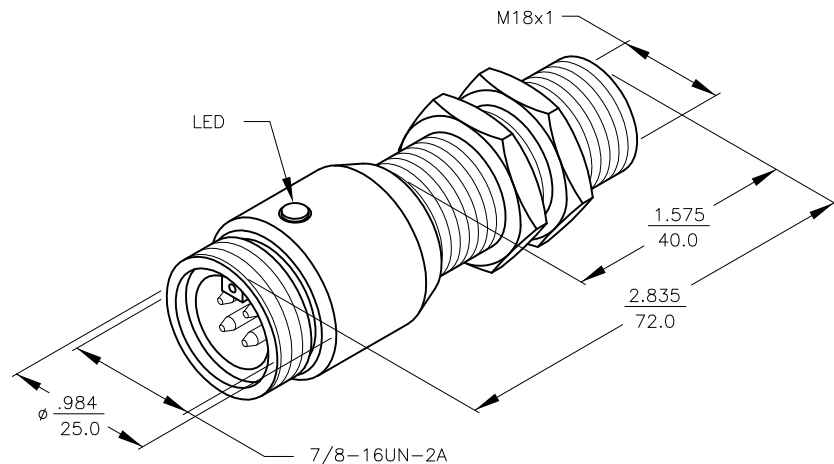
SHORT-CIRCUIT AND OVERLOAD PROTECTED

LOCKNUT LN-M18


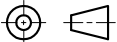


SPECIFICATIONS

OPERATING VOLTAGE	10-30 VDC
RIPPLE	≤ 10%
HYSTERESIS (DIFFERENTIAL TRAVEL)	3-15% (5% TYPICAL)
VOLTAGE DROP ACROSS CONDUCTING SENSOR	≤ 1.8 V at 200 mA
OUTPUT FUNCTION	NORMALLY OPEN 3-WIRE DC SELF-CONTAINED
TTL COMPATIBLE	NO
SHORT-CIRCUIT PROTECTED	YES
TRIGGER CURRENT FOR OVERLOAD PROTECTION	≥ 220 mA
CONTINUOUS LOAD CURRENT	≤ 200 mA
LEAKAGE (OFF-STATE) CURRENT	<10 μA
NO-LOAD CURRENT	<15 mA
TIME DELAY BEFORE AVAILABILITY	≤ 8 ms
POWER-ON EFFECT PROTECTION	INCORPORATED
REVERSE POLARITY PROTECTION	INCORPORATED
WIRE BREAK PROTECTION	INCORPORATED
PROTECTION AGAINST TRANSIENTS	EN 60947-5-2
OPERATING TEMPERATURE	-25°C to +70°C (-13°F to +158°F)
ENCLOSURE	MEETS NEMA 1, 3, 4, 6, 13 AND IEC IP67
SHOCK	30 g, 11 ms
VIBRATION	55 Hz, 1 mm AMPLITUDE (IN ALL 3 PLANES)
LED FUNCTION	YELLOW: OUTPUT ENERGIZED
RATED OPERATING DISTANCE	5 mm = .197" (NOMINAL)
MAX. SWITCHING FREQUENCY	≤ 0.5 kHz
REPEATABILITY	≤ 2% RATED OPERATING DISTANCE
SHIELDED	YES
MATING PLUGS & CABLES	4-PIN "MINIFAST" CONSTRUCTION



SOURCE DRAWING - FOR REFERENCE ONLY

RELATED DOCUMENTS		3RD ANGLE PROJECTION		THIS DRAWING IS CONFIDENTIAL AND THE PROPERTY OF TURCK INC. USE OF THIS DOCUMENT WITHOUT WRITTEN PERMISSION IS PROHIBITED.		 3000 CAMPUS DRIVE MINNEAPOLIS, MN 55441 1-800-544-7769 (763) 553-7300 (763) 553-0708 fax www.turck.us		
1.			DRFT	SMW	DATE	10/22/86	DESCRIPTION BI5-G18-AN6X-B1341/40MM	
2.			APVD		SCALE	NONE		
3.		ALL DIMENSIONS DISPLAYED ON THIS DRAWING ARE FOR REFERENCE ONLY	UNIT OF MEASUREMENT				IDENTIFICATION NO. 46952	REV E
4.			INCH [ MILLIMETER ]					
MATERIAL BRASS BARREL		CONTACT TURCK FOR MORE INFORMATION	DO NOT SCALE THIS DRAWING				FILE: 46952	SHEET 1 OF 1
FINISH COPPER,NICKEL, CHROME PLATING			E		E			

E	UPDATE ID NUMBER PER HARMONIZATION PROJECT	CBM	12/21/17	
REV	DESCRIPTION	BY	DATE	ECO NO.