
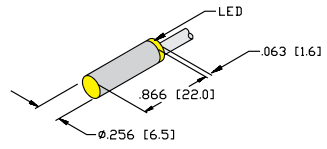
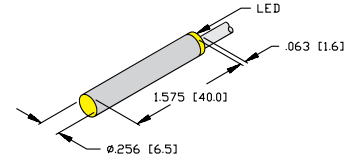
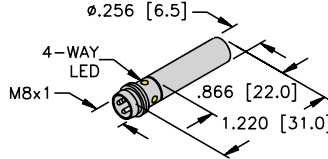
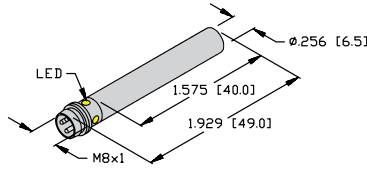
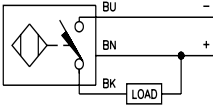
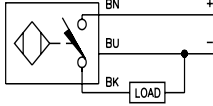
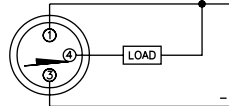
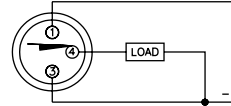


# Inductive Barrel Sensors | 6.5 mm

## Embeddable Smooth Metal Barrels with DC Outputs

Housing Style	Dimension Drawings	
	<p><b>A</b></p>  <p>6.5 mm - Embeddable, Miniature Smooth Barrel, Potted-In Cable</p>	<p><b>B</b></p>  <p>6.5 mm - Embeddable, Miniature Smooth Barrel, Potted-In Cable</p>
<p><b>C</b></p>  <p>6.5 mm - Embeddable, Miniature Smooth, M8 Picofast Quick Disconnect</p>	<p><b>D</b></p>  <p>6.5 mm - Embeddable, Miniature Smooth, M8 Picofast Quick Disconnect</p>	

Wiring Diagrams/Mating Cordsets			
<p><b>1</b></p> 	<p><b>2</b></p> 	<p><b>3</b></p>  <p>Mating Cordset: PKG 3M-*</p>	<p><b>4</b></p>  <p>Mating Cordset: PKG 3M-*</p>

A4 3 and 4-wire DC - (AN, RN, AP, RP, VN, VP)	
<p>Ripple: ≤10%</p> <p>Differential Travel (Hysteresis): 3-15% (5% typical)</p> <p>Voltage Drop Across Conducting Sensor: ≤1.8 V</p> <p>Trigger Current for Short Circuit Protection:</p> <ul style="list-style-type: none"> <li>≥220 mA on 200 mA Load Current</li> <li>≥170 mA on 150 mA Load Current</li> <li>≥120 mA on 100 mA Load Current</li> </ul> <p>Off-State (Leakage) Current: ≤0.1 mA</p> <p>No-Load Current: ≤15 mA (Ferrite, Uprox) ≤20 mA (Uprox+, Uprox3)</p>	<p>Time Delay Before Availability: ≤8 ms</p> <p>Power-On Effect: Per IEC 947-5-2</p> <p>Reverse Polarity Protection: Incorporated</p> <p>Wire-Break Protection: Incorporated</p> <p>Transient Protection: Per EN 60947-5-2</p> <p>Temperature Drift: ≤±10%</p> <p>Shock: 30 g, 11 ms</p> <p>Vibration: 55 Hz, 1 mm Amplitude in all 3 Planes</p> <p>Repeatability: ≤2% of Rated Operating Distance</p>

We reserve the right to make technical alterations without prior notice.



## Inductive Barrel Sensors | 6.5 mm

### Embeddable Smooth Metal Barrels with DC Outputs

Part Number/ ID Number	Features	Sensing Range (mm)	Output	Voltage	Switching Freq. (Hz)	Operating Current (mA)	Operating Temp. (°C)	Protection	Housing	Face	Power LED	Output LED	Cable Length/Jacket	Dimension Drawings	Wiring Diagrams	Spec List
Bi2U-EH6.5-AN6X 4281170	Uprox	2	3-wire DC NPN	10-30 VDC	2000	≤150	-30 to +85	IP68	SS	PA 12	N/A	YE	2M/ TPU	B	1	A4
Bi2U-EH6.5-AP6X 4281150	Uprox	2	3-wire DC PNP	10-30 VDC	2000	≤150	-30 to +85	IP68	SS	PA 12	N/A	YE	2M/ TPU	B	2	A4
Bi2-EH6.5-AN6X 4612300		2	3-wire DC NPN	10-30 VDC	3000	≤150	-25 to +70	IP67	SS	PA 12	N/A	YE	2M/ TPU	B	1	A4
Bi2-EH6.5-AP6X 4612200		2	3-wire DC PNP	10-30 VDC	1000	≤150	-25 to +70	IP67	SS	PA 12	N/A	YE	2M/ TPU	B	2	A4
Bi2-EH6.5K-AN6X 4610100	Short Barrel	2	3-wire DC NPN	10-30 VDC	3000	≤150	-25 to +70	IP67	SS	PA 12	N/A	YE	2M/ TPU	A	1	A4
Bi2-EH6.5K-AP6X 4610000	Short Barrel	2	3-wire DC PNP	10-30 VDC	3000	≤150	-25 to +70	IP67	SS	PA 12	N/A	YE	2M/ TPU	A	2	A4
Bi1.5-EH6.5-AN6X 4612100		1.5	3-wire DC NPN	10-30 VDC	3000	≤150	-25 to +70	IP67	SS	PA 12	N/A	YE	2M/ TPU	B	1	A4
Bi1.5-EH6.5-AP6X 4612000		1.5	3-wire DC PNP	10-30 VDC	3000	≤150	-25 to +70	IP67	SS	PA 12	N/A	YE	2M/ TPU	B	2	A4
Bi1.5-EH6.5-AP6X/S100 4612001	High Temp. 100 °C	1.5	3-wire DC PNP	10-30 VDC	3000	≤150	-25 to +100	IP67	SS	PA 12	N/A	YE	2M/ TPU	B	2	A4
Bi1.5-EH6.5K-AN6X 4610640	Short Barrel	1.5	3-wire DC NPN	10-30 VDC	3000	≤150	-25 to +70	IP67	SS	PA 12	N/A	YE	2M/ TPU	A	1	A4
Bi1.5-EH6.5K-AP6X 4610540	Short Barrel	1.5	3-wire DC PNP	10-30 VDC	3000	≤150	-25 to +70	IP67	SS	PA 12	N/A	YE	2M/ TPU	A	2	A4
Bi2U-EH6.5-AN6X-V1131 4281180	Uprox	2	3-wire DC NPN	10-30 VDC	1000	≤150	-25 to +70	IP68	SS	PA 12	N/A	YE	--	D	3	A4
Bi2U-EH6.5-AP6X-V1131 4281160	Uprox	2	3-wire DC PNP	10-30 VDC	1000	≤150	-25 to +70	IP68	SS	PA 12	N/A	YE	--	D	4	A4
Bi2-EH6.5-AN6X-V1131 4612320		2	3-wire DC NPN	10-30 VDC	3000	≤150	-25 to +70	IP67	SS	PA 12	N/A	YE	--	D	3	A4
Bi2-EH6.5-AP6X-V1131 4612220		2	3-wire DC PNP	10-30 VDC	3000	≤150	-25 to +70	IP67	SS	PA 12	N/A	YE	--	D	4	A4
Bi2-EH6.5K-AN6X-V1131 4610120	Short Barrel	2	3-wire DC NPN	10-30 VDC	3000	≤150	-25 to +70	IP67	SS	PA 12	N/A	YE	--	C	3	A4
Bi2-EH6.5K-AP6X-V1131 4610020	Short Barrel	2	3-wire DC PNP	10-30 VDC	3000	≤150	-25 to +70	IP67	SS	PA 12	N/A	YE	--	C	4	A4
Bi1.5-EH6.5-AN6X-V1131 4612120		1.5	3-wire DC NPN	10-30 VDC	3000	≤150	-25 to +70	IP67	SS	PA 12	N/A	YE	--	D	3	A4
Bi1.5-EH6.5-AP6X-V1131 4612020		1.5	3-wire DC PNP	10-30 VDC	3000	≤150	-25 to +70	IP67	SS	PA 12	N/A	YE	--	D	4	A4
Bi1.5-EH6.5K-AN6X-V1131 4610840	Short Barrel	1.5	3-wire DC NPN	10-30 VDC	3000	≤150	-25 to +70	IP67	SS	PA 12	N/A	YE	--	C	3	A4
Bi1.5-EH6.5K-AP6X-V1131 4610740	Short Barrel	1.5	3-wire DC PNP	10-30 VDC	3000	≤150	-25 to +70	IP67	SS	PA 12	N/A	YE	--	C	4	A4

We reserve the right to make technical alterations without prior notice.

Inductive Barrel Sensors

