
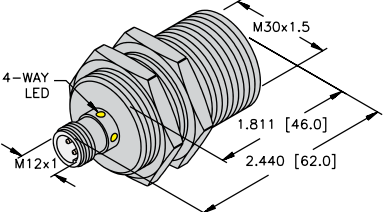
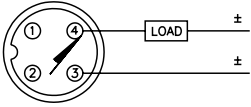
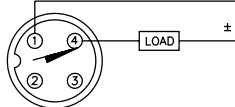
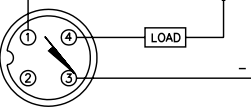
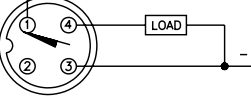
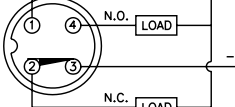
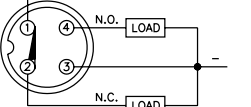


Inductive Barrel Sensors | 30 mm

Embeddable Threaded Metal Barrels with Connector and DC Outputs

Housing Style	Dimension Drawings
	<p>A</p>  <p>30 mm - Embeddable, M12 Eurofast Connection</p>

Wiring Diagrams/Mating Cordsets		
<p>1</p>  <p>Mating Cordset: RK 4.2T-*</p>	<p>2</p>  <p>Mating Cordset: RK 4.23T-*</p>	<p>3</p>  <p>Mating Cordset: RK 4T-*; RKC 4T-*/S1587</p>
<p>4</p>  <p>Mating Cordset: RK 4T-*; RKC 4T-*/S1587</p>	<p>5</p>  <p>Mating Cordset: RK 4.4T-*</p>	<p>6</p>  <p>Mating Cordset: RK 4.4T-*</p>

A2	2-wire DC - (AD, RD, AG)	
<p>Ripple: $\leq 10\%$</p> <p>Differential Travel (Hysteresis): 3-15% (5% typical)</p> <p>Voltage Drop Across Conducting Sensor: Non-polarized (AD) $< 5.0\text{ V}$</p> <p>Polarized (AG) $\leq 4.2\text{ V}$</p> <p>Trigger Current for Short Circuit Protection: $\geq 120\text{ mA}$</p> <p>Minimum Load Current: $\geq 3.0\text{ mA}$</p>	<p>Off-State (Leakage) Current: $\leq 0.8\text{ mA}$</p> <p>Power-On Effect: Per IEC 947-5-2</p> <p>Transient Protection: Per EN 60947-5-2</p> <p>Shock: 30 g, 11 ms</p> <p>Vibration: 55 Hz, 1 mm Amplitude in all 3 Planes</p> <p>Repeatability: $\leq 2\%$ of Rated Operating Distance</p>	
A4	3 and 4-wire DC - (AN, RN, AP, RP, VN, VP)	
<p>Ripple: $\leq 10\%$</p> <p>Differential Travel (Hysteresis): 3-15% (5% typical)</p> <p>Voltage Drop Across Conducting Sensor: $\leq 1.8\text{ V}$</p> <p>Trigger Current for Short Circuit Protection: $\geq 220\text{ mA}$ on 200 mA Load Current</p> <p>$\geq 170\text{ mA}$ on 150 mA Load Current</p> <p>$\geq 120\text{ mA}$ on 100 mA Load Current</p> <p>Off-State (Leakage) Current: $\leq 0.1\text{ mA}$</p> <p>No-Load Current: $\leq 15\text{ mA}$ (Ferrite, Uprox)</p> <p>$\leq 20\text{ mA}$ (Uprox+, Uprox3)</p>	<p>Time Delay Before Availability: $\leq 8\text{ ms}$</p> <p>Power-On Effect: Per IEC 947-5-2</p> <p>Reverse Polarity Protection: Incorporated</p> <p>Wire-Break Protection: Incorporated</p> <p>Transient Protection: Per EN 60947-5-2</p> <p>Temperature Drift: $\leq \pm 10\%$</p> <p>Shock: 30 g, 11 ms</p> <p>Vibration: 55 Hz, 1 mm Amplitude in all 3 Planes</p> <p>Repeatability: $\leq 2\%$ of Rated Operating Distance</p>	

We reserve the right to make technical alterations without prior notice.



Inductive Barrel Sensors | 30 mm

Embeddable Threaded Metal Barrels with Connector and DC Outputs

Part Number/ ID Number	Features	Sensing Range (mm)	Output	Voltage	Switching Freq. (Hz)	Operating Current (mA)	Operating Temp. (°C)	Protection	Housing	Face	Power LED	Output LED	Dimension Drawings	Wiring Diagrams	Spec List
Bi20U-M30-AN6X-H1141 1644888	Uprox3	20	3-wire DC NPN	10-30 VDC	1000	≤200	-25 to +70	IP68	CPB	LCP	N/A	YE	A	3	A4
Bi20U-M30-AP6X-H1141 1644880	Uprox3	20	3-wire DC PNP	10-30 VDC	1000	≤200	-25 to +70	IP68	CPB	LCP	N/A	YE	A	4	A4
Bi15U-M30-AN6X-H1141 1636736	Uprox+	15	3-wire DC NPN	10-30 VDC	1000	≤200	-30 to +85	IP68	CPB	LCP	N/A	YE	A	3	A4
Bi15U-M30-AP6X-H1141 1636732	Uprox+	15	3-wire DC PNP	10-30 VDC	1000	≤200	-30 to +85	IP68	CPB	LCP	N/A	YE	A	4	A4
Bi15U-EM30-AP6X-H1141 1636733	Uprox+	15	3-wire DC PNP	10-30 VDC	1000	≤200	-30 to +85	IP68	SS	LCP	N/A	YE	A	4	A4
Bi15-M30-AN6X-H1141 4618600	Extended Range	15	3-wire DC NPN	10-30 VDC	300	≤200	-25 to +70	IP67	CPB	PA 12	N/A	YE	A	3	A4
Bi15-EM30H-AN6X-H1141 4618692	Ext. Range, Stoneface	15	3-wire DC NPN	10-30 VDC	300	≤200	-25 to +70	IP67	SS	SF	N/A	YE	A	3	A4
Bi15-M30-AP6X-H1141 46185	Extended Range	15	3-wire DC PNP	10-30 VDC	300	≤200	-25 to +70	IP67	CPB	PA 12	N/A	YE	A	4	A4
Bi15-EM30H-AP6X-H1141 4618592	Ext. Range, Stoneface	15	3-wire DC PNP	10-30 VDC	300	≤200	-25 to +70	IP67	SS	SF	N/A	YE	A	4	A4
Bi15-EM30-AP6X-H1141/S1589 4618593	Weldguard	15	3-wire DC PNP	10-30 VDC	300	≤200	-25 to +70	IP67	SS	WG	N/A	YE	A	4	A4
Bi15-M30-VN4X-H1141 4570711	Ext. Range, Comp. Outputs	15	4-wire DC NPN	10-65 VDC	500	≤200	-25 to +70	IP67	CPB	PA 12	N/A	YE	A	5	A4
Bi15-M30-VP4X-H1141 4570710	Ext. Range, Comp. Outputs	15	4-wire DC PNP	10-65 VDC	300	≤200	-25 to +70	IP67	CPB	PA 12	N/A	YE	A	6	A4
Bi12-M30-AD4X-H1141 4417041	Extended Range	12	2-wire DC	10-65 VDC	500	≤100	-25 to +70	IP67	CPB	PA 12	N/A	YE	A	1	A2
Bi10U-M30-AD4X-H1144 4405072	Uprox	10	2-wire DC	10-65 VDC	10	≤100	-25 to +70	IP68	CPB	LCP	N/A	YE	A	2	A2
Bi10U-M30-AN6X-H1141 1636150	Uprox	10	3-wire DC NPN	10-30 VDC	1000	≤200	-30 to +85	IP67	CPB	PBT	N/A	YE	A	3	A4
Bi10U-EM30-AN6X-H1141 1636350	Uprox	10	3-wire DC NPN	10-30 VDC	1000	≤200	-30 to +85	IP68	SS	PBT	N/A	YE	A	3	A4
Bi10U-M30-AP6X-H1141 1636140	Uprox	10	3-wire DC PNP	10-30 VDC	1000	≤200	-30 to +85	IP67	CPB	PBT	N/A	YE	A	4	A4
Bi10U-M30-AP6X2-H1141 1636145	Uprox	10	3-wire DC PNP	10-30 VDC	1000	≤200	-30 to +85	IP67	CPB	PBT	GN	YE	A	4	A4
Bi10U-EM30-AP6X-H1141 1636340	Uprox	10	3-wire DC PNP	10-30 VDC	2000	≤200	-30 to +85	IP68	SS	PBT	N/A	YE	A	4	A4
Bi10U-M30-VP4X-H1141 1582253	Uprox, Comp. Outputs	10	4-wire DC PNP	10-65 VDC	1000	≤200	-30 to +85	IP67	CPB	PBT	N/A	YE	A	6	A4
Bi10-M30-AD4X-H1141 44175		10	2-wire DC	10-65 VDC	500	≤100	-25 to +70	IP67	CPB	PA 12	N/A	YE	A	1	A2
Bi10-M30-AN6X-H1141 46176		10	3-wire DC NPN	10-30 VDC	500	≤200	-25 to +70	IP67	CPB	PA 12	N/A	YE	A	3	A4
Bi10-M30-AP6X-H1141 46175		10	3-wire DC PNP	10-30 VDC	500	≤200	-25 to +70	IP67	CPB	PA 12	N/A	YE	A	4	A4
Bi10-M30-VN4X-H1141 15716	Comp. Outputs	10	4-wire DC NPN	10-65 VDC	500	≤200	-25 to +70	IP67	CPB	PA 12	N/A	YE	A	5	A4
Bi10-M30-VP4X-H1141 15616	Comp. Outputs	10	4-wire DC PNP	10-65 VDC	500	≤200	-25 to +70	IP67	CPB	PA 12	N/A	YE	A	6	A4

We reserve the right to make technical alterations without prior notice.

Inductive Barrel Sensors

