

Input: One 350 Ω Sensor, 1 mV to 2000 mV, 4-10 VDC Excitation

Output: 0-1 V to ±10 V or 0-1 mA to 4-20 mA, Isolated

- Factory Set for Your Specified Range
- Full 3-Way Input/Output/Power Isolation
- Internal Excitation Power Supply
- DC Voltage or Current Output
- Simple Plug-In Design for Faster Installation
- Input and Output LoopTracker® LEDs
- Output Test or Calibration Resistor Options

Applications

- Load Cell Weighing Systems and Scales
- Strain Gauge Pressure Sensors and Transducers
- Tanks, Scales, Extruder Melt Pressure, Crane Loads

Strain Gauge Input Range

Factory configured, please specify sensor mV/V and mV range

Minimum sensor range 1 mV

Maximum sensor range: 2000 mV

Millivolt output range is determined by the sensitivity of the sensor (mV/V) and the excitation voltage applied.

$$\text{mV/V sensitivity} \times \text{excitation voltage} = \text{total mV range}$$

Input Impedance

1 MΩ minimum

Common Mode Rejection

100 dB minimum

Calibration Resistor Options

M01 option: Toggle switch with calibration resistor inside module. Specify resistor value.

M02 option: Toggle switch for external (load cell) calibration resistor.

Excitation Voltage

Factory configured, please specify excitation voltage

Maximum output: 10 VDC maximum at 30 mA

Internal adjustment: 4 to 10 VDC

Stability: ±0.01% per °C

Designed for one 350 Ω (or greater) sensor

LoopTracker

Variable brightness LEDs for input/output loop level and status

DC Output Range

Factory configured, please specify output range

Voltage (10 mA max.): 0-1 VDC to 0-10 VDC

Bipolar voltage (±10 mA max.): ±1 VDC to ±10 VDC

Current: 0-1 mAADC to 0-20 mADC

Compliance, drive at 20 mA: 20 V, 1000 Ω drive

Output Calibration

Multi-turn zero and span potentiometers

±15% of span adjustment range typical

Output Test

Sets output to test level when pressed

Adjustable 0-100% of span

Not available with M01 or M02 options

Output Ripple and Noise

Less than 10 mVRMS

Linearity

Better than ±0.1% of span

Ambient Temperature Range and Stability

-10°C to +60°C operating ambient

Better than ±0.02% of span per °C stability

Response Time

70 milliseconds (14.2 Hz) typical

Contact factory for other response times

Option DF: 10 milliseconds (100 Hz) response time typical

Isolation

1200 VRMS min.

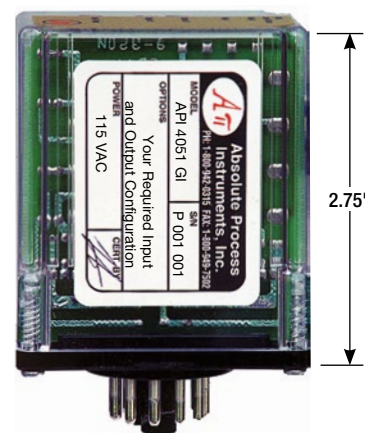
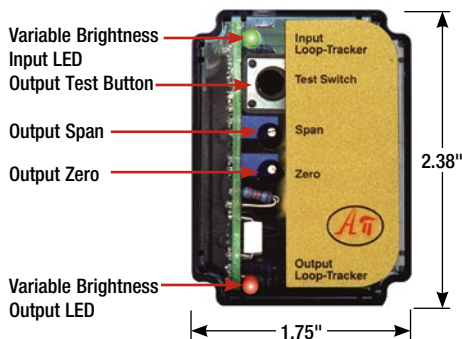
Full isolation: power to input, power to output, input to output

Housing and Sockets

IP 40, requires installation in panel or enclosure

Plugs into API 011 or API 011 FS socket

Socket mounts to 35 mm DIN rail or can be surface mounted



Hot Swappable Plug-In Design

Free Factory I/O Setup!

Quick Link api-usa.com/strain

Power

Standard: 115 VAC ±10%, 50/60 Hz, 2.5 W max.

A230 option: 230 VAC ±10%, 50/60 Hz, 2.5 W max.

P option: 85-265 VAC 50/60 Hz, 60-300 VDC 2.5 W typ.

D option: 9-30 VDC, 2.5 W typical

Description

The API 4051 GI accepts a strain gauge, bridge, or load cell input and provides a proportional, isolated DC voltage or current output. It includes filtering and processing to allow effective use of low-level transducers in the noisy environments common in industrial applications.

The built-in bridge excitation power supply generates a stable source of excitation voltage to drive a 350 Ω (or greater) bridge type sensor such as a load cell, pressure transducer, or strain gauge and amplifies and converts the resulting millivolt signal into the factory configured output.

The API 4051 GI is factory configured to a specific excitation voltage, millivolt input (mV/V rating of the sensor multiplied by the excitation voltage), DC voltage or DC current output, and power. The input can be configured as zero-based (i.e., 0 to 20 mV), bi-polar (i.e., -30 to +30 mV) for push-pull applications, or offset (i.e., 5 to 33 mV) to electronically compensate for deadweight (tare).

The output can be configured as zero-based, bi-polar, or offset. In addition to the standard output ranges, the API 4051 GI output can be configured meet most non-standard requirements. Contact the factory for assistance.

LoopTracker

API exclusive features include two LoopTracker LEDs (green for input, red for output) that vary in intensity with changes in the process input and output signals. These provide a quick visual picture of your process loop at all times and can greatly aid in saving time during initial startup and/or troubleshooting.

Output Test

An API exclusive feature includes the test button to provide a fixed output (independent of the input) when held depressed. The output test button greatly aids in saving time during initial startup and/or troubleshooting. The test output level is potentiometer adjustable from 0 to 100% of output span.

The output test is not available with the M01 or M02 options. A calibration resistor switch replaces the test button.

Mounting

The API 4051 GI plugs into an industry standard 11-pin octal socket sold separately. Sockets API 011 and finger-safe API 011 FS allow either DIN rail or panel mounting.

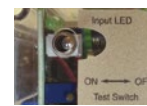
Model	Input	Output	Power
API 4051 GI	Factory ranged specify mV/V and excitation voltage	Factory ranged specify voltage or milliamp range	115 VAC
API 4051 GI A230			230 VAC
API 4051 GI P			85-265 VAC or 60-300 VDC
API 4051 GI D			9-30 VDC

Options—add to end of model number

- M01** Switch with built-in calibration resistor. Specify resistor value.
- M02** Switch for external calibration resistor
- DF** 10 millisecond response time, or consult factory. DF option will cause output noise levels greater than standard specifications.
- U** Conformal coating for moisture resistance

Accessories—order as a separate line item

- API 011** 11-pin socket, DIN rail or surface mount
- API 011 FS** 11-pin finger safe socket, DIN rail or surface mount
- API CLP1** Module hold-down spring for high vibration or mobile applications



M01/M02 Switch



API 011 FS 300 V Rating



API 011 300 V Rating



API CLP1

Precautions

WARNING! All wiring must be performed by a qualified electrician or instrumentation engineer. See diagram for terminal designations and wiring examples. Consult factory for assistance.


WARNING! Avoid shock hazards! Turn signal input, output, and power off before connecting or disconnecting wiring, or removing or installing module.

Précautions

ATTENTION! Tout le câblage doit être effectué par un électricien ou ingénieur en instrumentation qualifié. Voir le diagramme pour désignations des bornes et des exemples de câblage. Consulter l'usine pour assistance.

ATTENTION! Éviter les risques de choc! Fermez le signal d'entrée, le signal de sortie et l'alimentation électrique avant de connecter ou de déconnecter le câblage, ou de retirer ou d'installer le module.

API maintains a constant effort to upgrade and improve its products. Specifications are subject to change without notice. See api-usa.com for latest product information. Consult factory for your specific requirements.

 **WARNING:** This product can expose you to chemicals including lead and nickel, which are known to the State of California to cause cancer or birth defects or other reproductive harm. For more information go to www.P65Warnings.ca.gov

Socket and Mounting

Install module in a protective panel or enclosure. Allow space around module for air flow. Use API 011 or API 011 FS socket. See specifications for maximum allowable socket voltages. The socket clips to a standard 35 mm DIN rail or can be mounted to a flat surface.

Electrical Connections

See model/serial number label for module power requirements, input range, excitation voltage, output range, and options.

Signal Input Terminals

Refer to wiring diagram at right and strain gauge manufacturer's data sheet for wiring and color-coding. Polarity must be observed when connecting input. Sensor shield wire (if equipped) should be grounded at one end only.

Excitation Voltage

The excitation voltage should match the sensor manufacturer's recommendations.

CAUTION: Never short the excitation leads together. This will cause internal damage to the module.

Although generally not required, an internal adjustment is available to trim the excitation voltage. Consult factory for assistance.

Signal Output Terminals

Polarity must be observed when connecting the signal output. When a current output is ordered, it provides power to the output current loop (sourcing). If the output does not function, check all wiring polarity.

Module Power Terminals

The label on the side of the module will indicate the power requirements. AC power can be connected with either polarity. For DC powered modules, polarity **MUST** be observed. See wiring diagram.

Calibration

Input and output ranges as specified on your order are factory pre-configured (at 24°C ±1°C). This procedure does not account for offset or tare weight calibration. To achieve optimum results, it is recommended that the API 4051 G be calibrated using an accurate bridge simulator.

1. Power the module and allow a minimum 20 minute warm up time.
2. Using an accurate voltmeter across terminals 7 and 8, adjust the excitation voltage fine adjust potentiometer to the required voltage.
3. With the input set at zero or the minimum, adjust the front Zero pot for a zero or low-end output (for example, 4 mA for a 4-20 mA output or -10 V with a ±10V output).
4. The zero pot may also be adjusted for a zero reading on the output display instrumentation, e.g. control system or process indicator. Adjusting the zero pot this way eliminates calibration errors in the display instrumentation.
5. Set the input at maximum, and then adjust the Span potentiometer for the exact maximum output desired. The Span control should only be adjusted when the input signal is at its maximum. This will produce the corresponding maximum output signal.
6. The calibration procedure should be repeated to achieve the desired accuracy over the selected range.

Calibration, Models with Option M01 or M02

The M01 option uses a switch and a calibration resistor inside the API module. Ensure that the correct resistance value was specified.

The M02 option uses a switch for the transducer's internal calibration resistor. The transducer's calibration resistor wires are connected to terminals 5 and 6 on the API 4051 G socket. The sensor manufacturer should provide the percentage of full-scale transducer output when using the calibration resistor.

1. Power the module and allow a minimum 20 minute warm up time.
2. Using an accurate voltmeter across terminals 7 and 8, adjust the excitation voltage fine adjust potentiometer to the required voltage.
3. Provide an input to the module equal to zero or the minimum input required for the application.
4. Using an accurate measurement device for the module output, adjust the Zero potentiometer for the exact minimum output signal desired. The Zero control should only be adjusted when the input signal is at its minimum. The zero pot may also be adjusted for a zero reading on the output display instrumentation, e.g. control system or process indicator. Adjusting the zero pot this way eliminates calibration errors in the display instrumentation.
5. Set the Test toggle switch to the Test position. The calibration resistor is switched into the circuit to unbalance the bridge.
6. Adjust the span pot for an 80% FS output or 80% reading on the process indicator, or per the manufacturer's percentage of FS output.
7. Return the Test switch to the opposite position and readjust the zero pot if necessary. The calibration procedure should be repeated to achieve the desired accuracy over the selected range.

Output Test Function

Note that models with the M01 or M02 option do not have a TEST function. With this option the Test switch operates the calibration resistor and the Test Cal. potentiometer is non-functional.

The output test potentiometer is factory set to provide approximately 50% output. When the test button is depressed it will drive the output with a known good signal that can be used as a diagnostic aid during initial start-up or troubleshooting. When released, the output will return to normal.

The Test Cal. potentiometer can be used to set the test output to the desired level. It is adjustable from 0 to 100% of the output span. Press and hold the Test button and adjust the Test Cal. potentiometer for the desired output level.

Operation

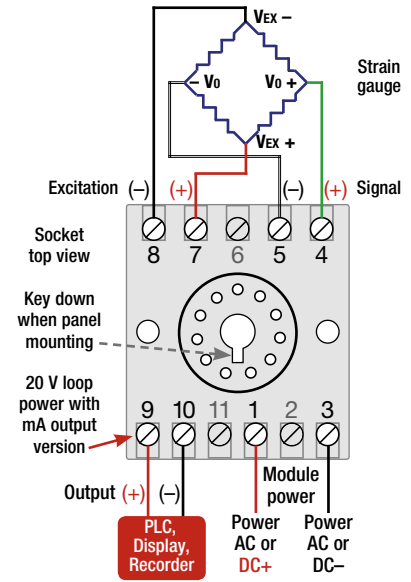
Strain gauges and load cells are normally passive devices that are commonly referred to as bridges due to their four-resistor Wheatstone bridge configuration. These sensors require a precise excitation source to produce an output that is directly proportional to the load or pressure that is applied to the sensor.

The exact output of the sensor (measured in millivolts) is determined by the sensitivity of the sensor (mV/V) and the excitation voltage applied.

The API 4051 GI provides the excitation voltage to the sensors and receives the resulting millivolt signal in return. This input signal is filtered and amplified, then offset, if required, and passed to the output stage. Depending on the output configuration ordered, a DC voltage or current output is generated.

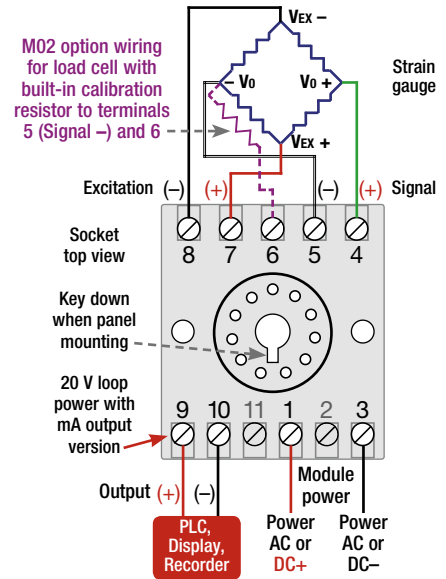
GREEN LoopTracker® Input LED – Provides a visual indication that a signal is being sensed by the input circuitry of the module. It also indicates the input signal level by changing in intensity as the process changes from minimum to maximum. If the LED fails to illuminate, or fails to change in intensity as the process changes, this may indicate a problem with module power or signal input wiring.

RED LoopTracker Output LED – Provides a visual indication that the output signal is functioning. It becomes brighter as the input and the corresponding output change from minimum to maximum. For current outputs, the RED LED will only light if the output loop current path is complete. For either current or voltage outputs, failure to illuminate or a failure to change in intensity as the process changes may indicate a problem with the module power or signal output wiring.



△ * Do not make connections to unused terminals!

To maintain full isolation avoid combining power supplies in common with input, output, or unit power.



API 4051 Wiring with M02 Option

Diagnostic Voltage Measurements

Using a meter with at least 10 megaohm input impedance, measure the voltage coming from the strain gauge at the locations shown. Sensitivity is measured in mV/V.

Positive Meter Lead	Negative Meter Lead	Meter Reading No pressure/load	Meter Reading Full pressure/load
+ Exc.	- Exc.	Excitation Voltage	Excitation Voltage
+ Sig.	- Exc.	+ ½ Excitation Voltage	½ Excitation Voltage + (½ Excitation Voltage x Sensitivity)
- Sig.	- Exc.	+ ½ Excitation Voltage	½ Excitation Voltage - (½ Excitation Voltage x Sensitivity)
+ Sig.	- Sig.	Zero Volts	Excitation Voltage x Sensitivity