

AquaSensors AnalogPlus Differential pH Sensor - 1.0 in.

For challenging process applications

AquaSensors AnalogPlus Differential pH Sensor

Key features

- 1 inch NPT mounting
- Differential pH sensor designed for continuous use in the most demanding industrial applications
- Replaceable salt bridge extends sensor life
- Offered with NTC300 or PT1000 temperature elements
- Electrode protection options
- Available in choice of materials for a wide range of applications

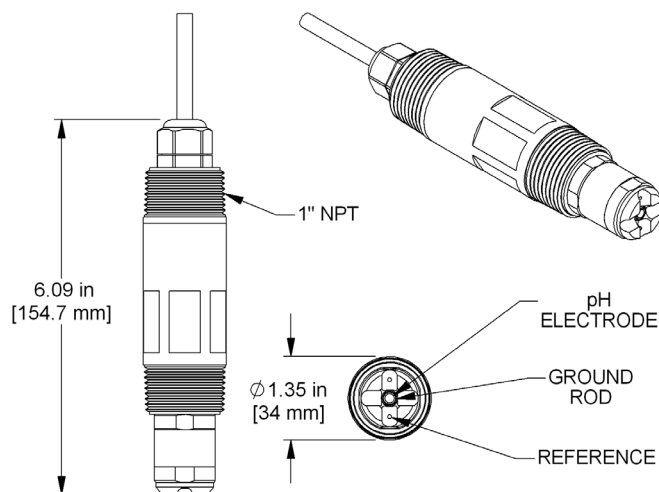
Markets and applications

- Wastewater treatment



- Pharmaceutical
- Chemical and petrochemical
- High purity water
- Food processing
- Metal finishing

Engineering drawing



AquaSensors AnalogPlus Differential pH Sensor - 1.0 in.

Engineering specifications

1. The pH sensor uses a differential electrode technique designed with two electrodes to compare the process value to a stable internal reference standard buffer solution. The standard electrode has non-flowing and fouling-resistant characteristics.
2. The sensor has hex-shaped wrench flats to facilitate mounting, and is constructed of a material with exceptional chemical resistance and mechanical strength. This material enables the sensor to be installed in metal fittings without leakage usually caused by heating and cooling cycles when dissimilar materials are threaded together.
3. The sensor has 1 inch NPT threads on both ends to mount into a standard 1 inch pipe tee, a 1.5 inch union mounting, or immersion hardware assembly.
4. The built-in electronics of the sensor are completely encapsulated and O-ring sealed for protection from moisture and humidity.
5. The sensor has an integral temperature sensor to automatically compensate measured values for changes in process temperature.
6. The sensor includes a titanium ground electrode (standard) to eliminate ground loop currents in the measuring electrode.

Product specifications

AquaSensors AnalogPlus Differential pH Sensor - 1.0 in.

	Range: 0-14 pH
Measurement system performance*	Resolution: 0.01 pH
	Accuracy: 0.1% of reading
	Step response time: 90% in 30 seconds
Operational equipment	PEEK sensor head
	Temperature range: -5°C to 95°C
	Maximum pressure: 100 psig @ 95°C
	Maximum flow rate: 10 ft/second
Construction	CPVC sensor head
	Temperature range: -5°C to 75°C
	Maximum pressure: 85 psig @ 95°C
	Maximum flow rate: 10 ft/second
Approvals	Process Electrodes: "G", "HF"
	Ground Rod: Titanium (standard)
	O-rings: Viton™
	Sensor Material: PEEK™ or CPVC
	Weight: 0.5 lbs. (PEEK or CPVC)
	Meets CE requirements for heavy industrial use

*Note: Typical at 25°C with 20 feet of cable

AquaSensors AnalogPlus Differential pH Sensor - 1.0 in.

Global support

With experience that comes from supporting our customers for over 35 years throughout the world, our water quality specialists and customer support teams offer a quick, thorough and professional response to any problem encountered.

Focus on user benefits

We work closely with you to define your needs, and ensure you are using the monitor in a way that improves your bottom line. For more information, contact your local water quality specialists or visit: thermofisher.com/water



AquaSensors AV88 AnalogPlus Universal Analyzer

Connects to any AnalogPlus Sensor using plug-in module. 2 line display and 7 key navigation. Data reporting with up to 2 current outputs. 2 Form C relays.

Ordering information

AquaSensors AnalogPlus Differential pH Sensor - 1.0 in.

Description	Cat. No.	
pH Sensor 1.0	SP-b-t-x-y-z-u	
Body material (b)	2 = CPVC 3 = PEEK	
Electrode type (t)	1 = Standard glass 2 = HF glass	
Sensor tip (x)	A = Protected	
Temperature element (y)	8 = NTC300 9 = PT1000	
Ground Rod (z)	E = Titanium (standard)	
Cable length (u)	1 = 10 feet 3 = 30 feet	

Ordering information

AquaSensors AnalogPlus Differential pH Sensor - 1.0 in. Accessories

Description	Cat. No.
Salt bridge replacements	
PEEK protected	SBS01-1
CPVC protected	SBS03-1
Storage cap with sponge	SBC01
pH solutions	
pH storage solution, 60 mL bottle	RCS03
Standard cell solution, 60 mL bottle	RCS01
Standard cell solution, 500 mL bottle	RCS01-500
4 pH buffer, 475 mL bottle	910104
7 pH buffer, 475 mL bottle	910107
10 pH buffer, 475 mL bottle	910110
Mounting hardware	
1 Inch tee mounting, CPVC	MH3022
1 Inch tee mounting, 316 SS	MH3011
1.5 Inch union mounting, CPVC	MH3042
1.5 Inch union mounting, 316 SS	MH3041
1.5 Inch ball valve, CPVC, low pressure	MH1112
1.5 Inch ball valve, 316 SS, low pressure	MH1111
1.5 Inch ball valve, CPVC, high pressure	MH1122
1.5 Inch ball valve, 316 SS, high pressure	MH1121
Hand rail mounting assembly, swivel/immersion, PVC	MH1242
1 inch immersion mounting with junction box, PVC (7 foot extension is standard)	MH3083

Consult factory for additional configurations and accessories

Australia: (613) 9757-4300 **In Australia:** (1300) 735-295 **China:** (86) 21-6865-4588
Germany: (49) 6184-90-6321 **India:** (91) 22-4157-8800 **Japan:** (81) 045-453-9175
North America: 1-978-232-6000 Toll Free: 1-800-225-1480 **Singapore:** (65) 6778-6876

Find out more at thermofisher.com/water

For Research Use Only. Not for use in diagnostic procedures. © 2018 Thermo Fisher Scientific Inc. All rights reserved. Viton is a registered trademark of E. I. Du Pont De Nemours & Company. PEEK is a trademark of Victrex USA, Inc. All other trademarks are the property of Thermo Fisher Scientific and its subsidiaries unless otherwise specified. **S-ASAPPH10-E 0718 Rev C**