

# Low Pressure Capsule Gauges

## Solid-Front Process Gauge

### Type 612.34, Copper Alloy Wetted Parts

### Type 632.34, Stainless Steel Wetted Parts

WIKA Datasheet 6X2.34

#### Applications

- Where measurement of low pressures is needed
- Suitable for corrosive environments and dry gaseous media that will not obstruct the pressure system
- Process industry: chemical/petrochemical, power stations, mining, on and offshore, environmental technology, mechanical engineering and plant construction

#### Special Features

- Solid front thermoplastic case
- Brass or 316 SS wetted parts
- Ranges from 10" H<sub>2</sub>O (25 mbar)

#### Standard Features

##### Design

ASME B40.100

##### Sizes

4½ (115 mm) dial size

##### Accuracy class

± 2/1/2% of span (ASME B40.100 Grade A)

##### Ranges

6X2.34: 10" H<sub>2</sub>O to 250" H<sub>2</sub>O (600 mbar) or other equivalent units of pressure or vacuum

##### Working pressure

Steady: full-scale value  
Fluctuating: 0.9 x full-scale value

##### Operating temperature

Ambient: -4 °F to +140 °F (-20 °C to +60 °C)  
Medium: +212 °F (+100 °C) maximum

##### Temperature error

Additional error when temperature changes from reference temperature of 68 °F (20 °C) ±0.6% of span for every 18 °F (10 °K) rising or falling.

##### Weather protection

Weather resistant (NEMA 3 / IP54)



Capsule Element Pressure Gauge Model 632.34

##### Pressure connection

Material: copper alloy - Type 612.34  
Material: 316L SS - Type 632.34  
Lower mount (LM)  
¼" or ½" NPT

##### Capsule element

Material: copper alloy - Type 612.34  
Material: 316L SS - Type 632.34

##### Movement

Stainless steel (632.34)  
Copper alloy (612.34)

##### Dial

White aluminum with black lettering, stop pin at 6 o'clock

##### Pointer

Black aluminum, adjustable

##### Case

Black - fiberglass reinforced thermoplastic (POCAN)  
Solid front / blowout back safety case design  
Turret-style case with built in rear flange lugs

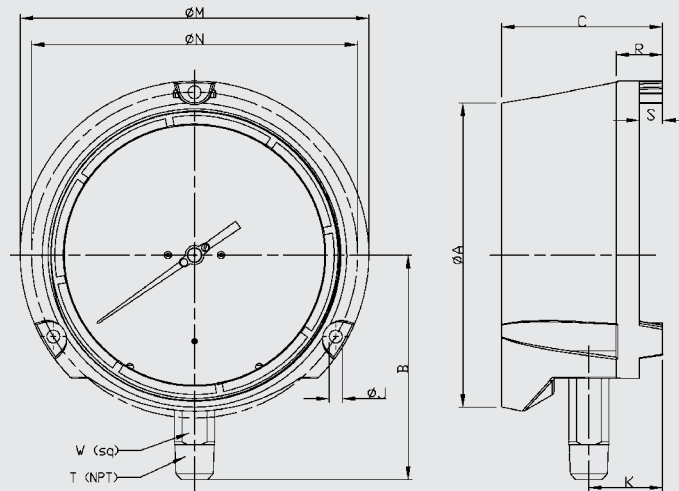
##### Window

Clear acrylic with Buna-N gasket

## Optional extras

- Threaded restrictor
- Overpressure safety:
  - ≤ 10" H<sub>2</sub>O (25mbar): 3X of full scale value
  - ≥ 10" H<sub>2</sub>O (25mbar): 10X of full scale value
- Panel mounting adaptor kit (field assembled)
- Instrument glass or safety glass window
- Special process connections
- Custom dial layout
- Silicone case fillings available, ranges 40" H<sub>2</sub>O & up
- Traceable material certificate (316 SS wetted parts only)
- EN 10204-2.2 NACE certificate (316 SS wetted parts only)

## Dimensions



Size		A	B	C	J	K	M	N	R	S	T	W	Weight <sup>1</sup>
4.5"	mm	128	103	84	6.3	40	148	136.5	25	12.5		22	
	in	5	4.06	3.31	0.248	1.57	5.83	53.7	0.99	0.49	1/2"	0.87	2 lb.

<sup>1</sup> Weight without optional accessories



**WIKA Instrument, LP**  
 1000 Wiegand Boulevard  
 Lawrenceville, GA 30043-5868  
 Tel: 888-WIKA-USA • 770-513-8200  
 Fax: 770-338-5118  
 E-Mail: info@wika.com  
 www.wika.com