



LD3xi™

Process Tank Weighing for Wet-to-Sanitary Operating Conditions

TECHNICAL SPECIFICATIONS



FEATURES AND BENEFITS

Cleanability and Strength For CIP/SIP

Built-in vessel hold-down eliminates mechanical pivot points, a source of bacteria traps and system errors caused by hardware gradually binding. Less operator time spent cleaning.

NEMA-6P / IP68 Submersion Rating, 17-4 ph 900 SS Construction

Unsurpassed waterproof protection and corrosion resistance for long life in rigorous CIP wash down areas. First load cell ever with a sealed cabling system option.

Minimal Deflection

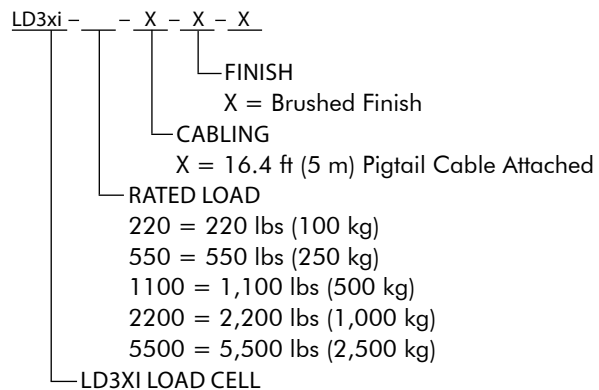
Better system performance on tanks with pipes and process plumbing connections.

The LD3xi™ shares many common features to Kistler-Morse's LD360s but features higher accuracies for smaller-capacity weighing applications and is available in weight ranges between 220 lbs. and 5,500 lbs.

The LD3xi™ is a rugged, stainless steel load cell for in-process tanks and bulk storage vessels. It combines vessel "hold-down" with cleanability. It continuously measures the weight of the tank, providing batching information control, and supplies material-on-hand information for a variety of applications.

Its sealed, stainless steel construction, as well as its unique NEMA-6P rated cable system, makes the LD3xi™ ideal for use in high-pressure, wash-down environments where cleaning and sanitizing chemicals are used. The LD3xi™ is particularly suitable for use on mixing and blending vessels, surge hoppers and vessels with agitators.

HOW TO ORDER



SPECIFICATIONS

FUNCTIONAL

Excitation Voltage	Operating Range: 5 VDC - 15 VDC
Maximum Current	16 mA @ 10 VDC excitation
Input Resistance	700 ohms \pm 2%
Recommended Supply Voltage	10 VDC
Compression	3 x Rated Load
Functional Integrity	1.5 x Rated Load (compression)

PERFORMANCE

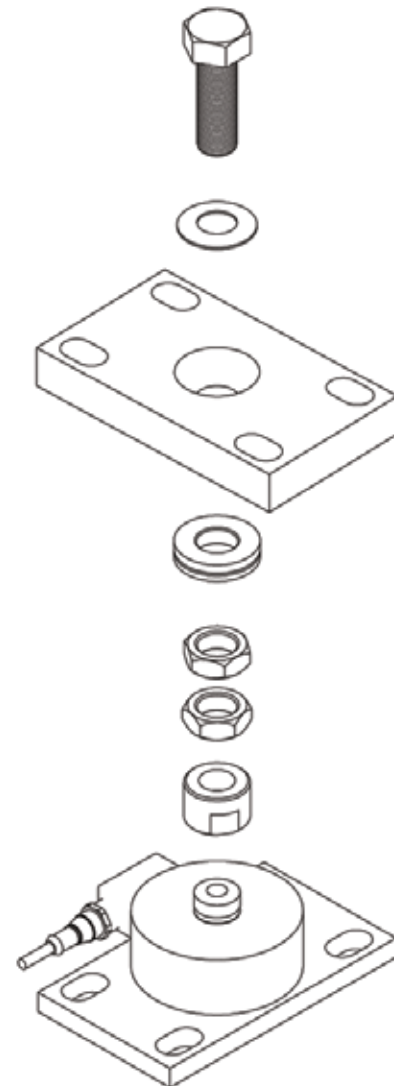
Non-linearity/Hysteresis Combined	0.03% Rated Load
Return to Zero	Over 30 min: 0.026% Rated Load
Creep	Over 30 min: 0.028% Rated Load, Over 20 & 30 min: 0.008% Rated Output
Zero Balance	1% Rated Output
Rated Output	2 mV/V \pm 0.1%
Deflection	0.004"-0.008" for capacities 220 to 5500 lb

PHYSICAL

Temperature	Standard: 14° to 104° F (-10° to 40° C) Sensitivity change: 0.00094%/° F (0.0017%/° C) Zero shift: 0.0013%/° F (0.0024%/° C) Storage Range: -4° to 176° F (-20° to 80° C)
Humidity	100%
Rating	IP68 (100h at 1m water column)
Construction	17-4 PH 900 stainless steel
Cable	4-conductor, 22 gage shielded, 16 ft (5m) long, with tinned pigtail termination
Shipping Weight	5 lbs. (2.53 kg)

DIMENSIONS

Base Plate Size Length x Width	6" x 3 1/2" (152.4 mm x 88.9 mm)
Installed Height	LD3xi™ w/UA3xi: 2 3/4" (69.3 mm) LD3xi™ w/LT3xi: min=5" (127 mm), max=5 17/100" (131.3 mm)
Top Plate Size Length x Width	UA3xi: 6" x 3 1/2" (152.4 mm x 88.9 mm) LT3xi: 6" x 3 1/2" (152.4 mm x 88.9 mm)



LD3xi with LT3xi Leveling Top Adapter Plate