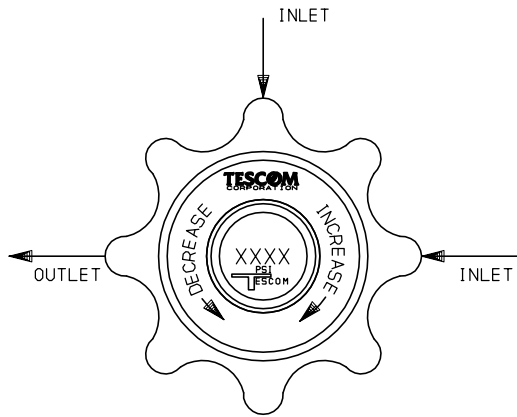


ALL DIMENSIONS REFERENCE

26-17XX-XX-143

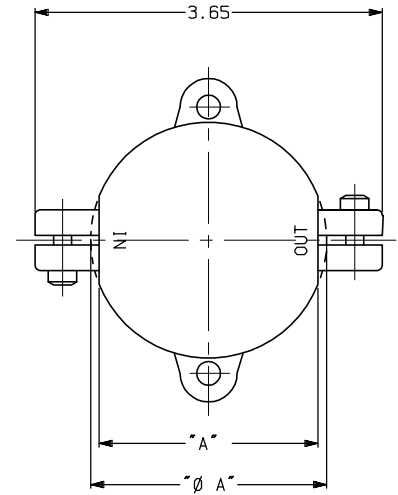
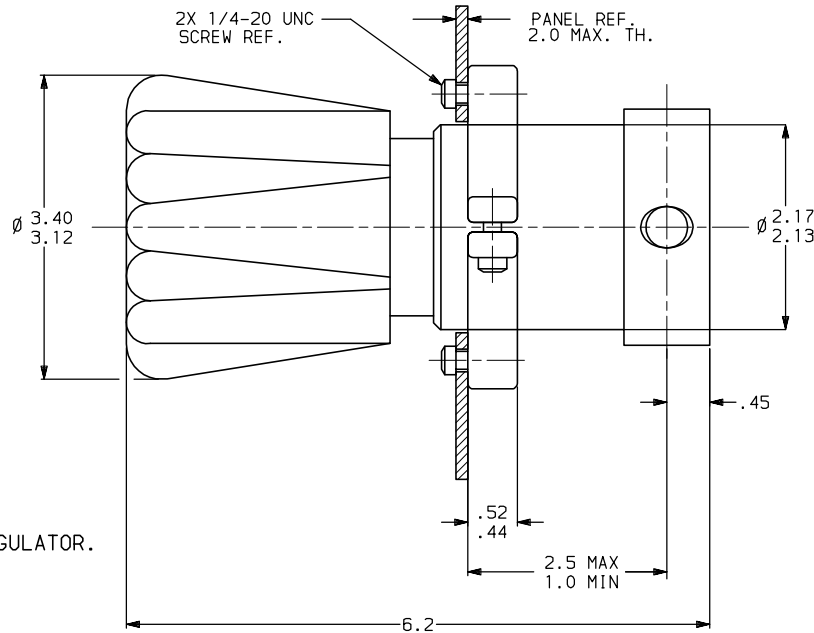


PORTING CONFIGURATION

26-1700 SERIES REGULATOR

SPRING LOADED, HAND OPERATED, BACK PRESSURE REGULATOR.  
MODIFICATION FEATURES:

BODY: R.H. INLET WITH GAUGE PORT AT 90°



INLET & OUTLET PORT	"A"
1/4 EXCEPT NPT	2.30
1/4 & 3/8 NPT	Ø2.48
3/8 AMINCO & SLIM-LINE	3.08

GENERAL SPECIFICATIONS:

INLET PRESSURE: SEE TABLE II  
 DESIGN PROOF PRESSURE: 150% OF RATED PRESSURE  
 PRESSURE RATING: PER CRITERIA OF ANSI/ASME B31.3  
 OPERATING TEMPERATURE: -65°F TO +165°F  
 LEAKAGE: BUBBLE TIGHT  
 FLOW CAPACITY (CV): .10 (26-17X1 THRU 26-17X4)  
.14 (26-17X5 THRU 26-17X7)  
 WEIGHT: APPROXIMATELY 5 LBS  
 MAX. OPERATING TORQUE: 40 IN.-LBS.

MATERIALS CONTACTING LINE MEDIA:

SEAT, MAIN VALVE: CTFE (26-17X1 THRU 26-17X4)  
TEFLON (26-17X5 THRU 26-17X7)

SEAL: CTFE  
 O-RING: BUNA-N  
 BACK-UP RING: TEFLON  
 BODY: SEE TABLE I  
 REMAINING PARTS: 300 SERIES SST

ASSEMBLY INFORMATION:

FOR ASSEMBLY OF THIS UNIT USE SPEC: A7181-02

NOTES:

1. PRESSURE AT WHICH REGULATOR IS USED MUST BE COMPATIBLE WITH THE PRESSURE RATING OF THE REGULATOR AND PORT SIZE/TYPE PROVIDED.

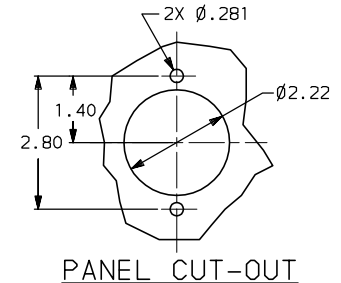
SERIES NUMBER  
MODIFICATION NUMBER  
26-1722-24 -143

DASH NO.	BODY MATERIAL
6	316 SST

DASH NO.	INLET PRESSURE
1	200-10000 PSI
2	50-6000 PSI
3	25-4000 PSI
4	15-2500 PSI
5	10-1500 PSI
6	5-800 PSI
7	5-500 PSI

DASH NO./LTR	INLET & OUTLET PORT SIZE
4	1/4
6	3/8
8	1/2

DASH NO.	IN & OUT PORT TYPE
1	SAE
2	NPT
3	M533649
4	AMINCO
6	AUTOCLAVE SLIM-LINE



REV.	DATE	ECO NO.	BY:	APPR
J	12-2-02	582-02	RAG	DP
H	1-18-02	638-02	JLS	MKS
G	11-1-99	1105-99	SKO	MKS
F	9-5-95	211-95	SJW	DP

**TESCOM CORPORATION**  
 INDUSTRIAL CONTROLS DIVISION  
 ELK RIVER, MN USA

INFORMATION CONTAINED ON THIS DOCUMENT IS THE PROPERTY OF TESCOM CORPORATION. NO RIGHTS ARE CONVEYED NOR IS PERMISSION TO DISCLOSE TO OTHERS GIVEN.

UNLESS OTHERWISE SPECIFIED:  
 .0 ± .020 ANGLES: ±1°  
 .00 ± .010  
 .003 ± .005  
 SURFACE ROUGHNESS: 100/  
 CORNER & FILLET RADI: .005-.020  
 THREADS: CLASS 2  
 REMOVE ALL BURRS  
 MFG. SPEC. 60301

DRAWING MADE IN THIRD ANGLE PROJECTION  
 (DO NOT SCALE DRAWING)

MATERIAL:	X		
FINISH:	X		
DRAWN BY:	CHECKED BY:	APPROVED BY:	
SJW	9-5-95	DP	9-11-95
NAME			
INSTALLATION INFO.			
SCALE: 1:1	SIZE	NUMBER	
CODE NO. 13669	C	26-17XX-XX-143	
SHT. 1		OF 1	