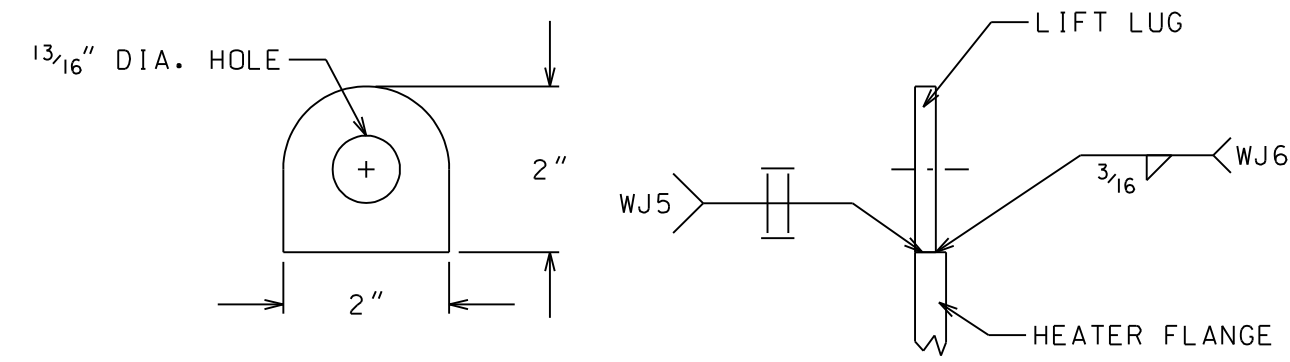
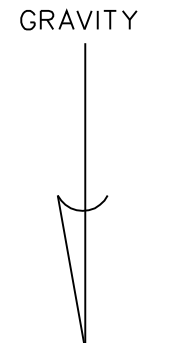
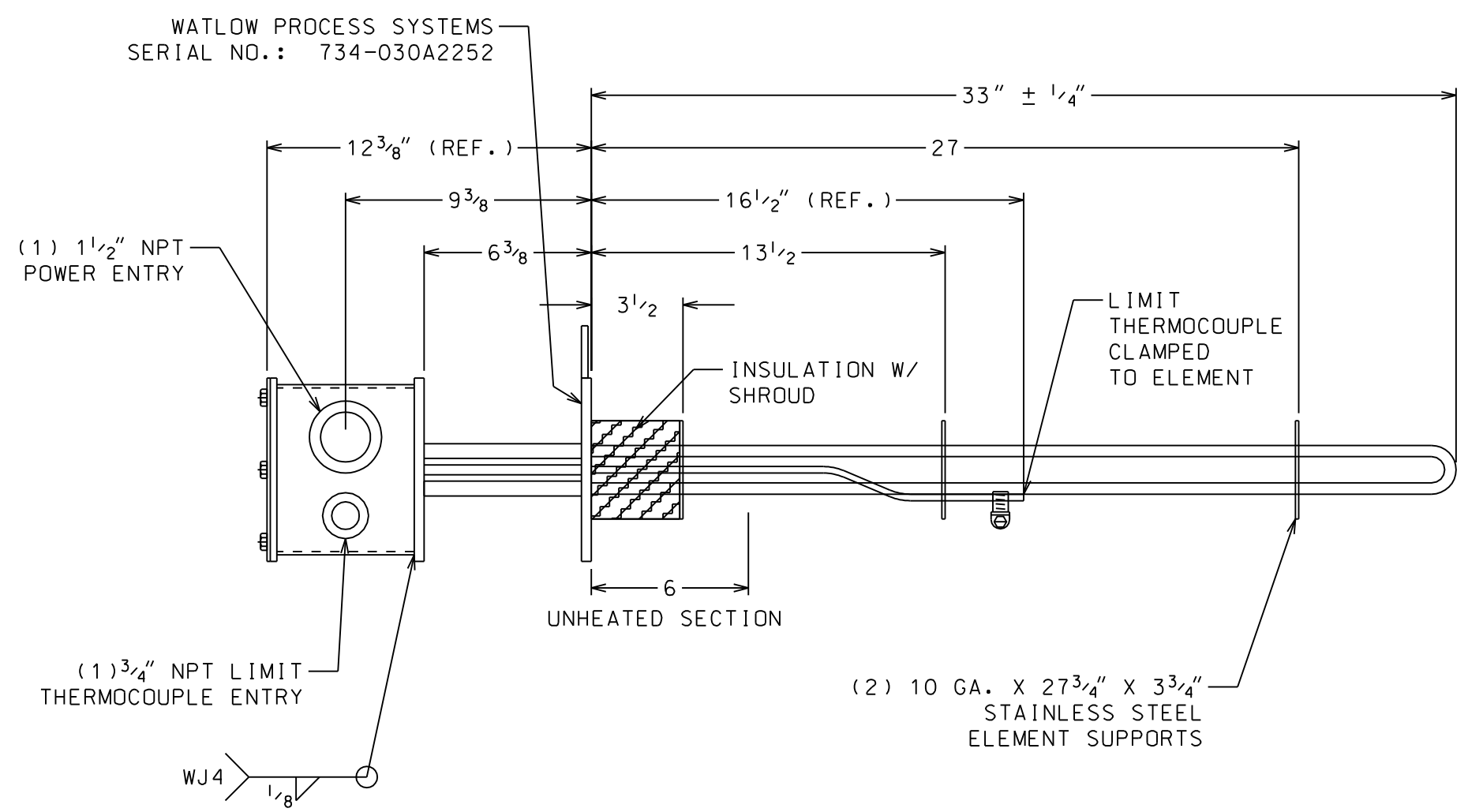
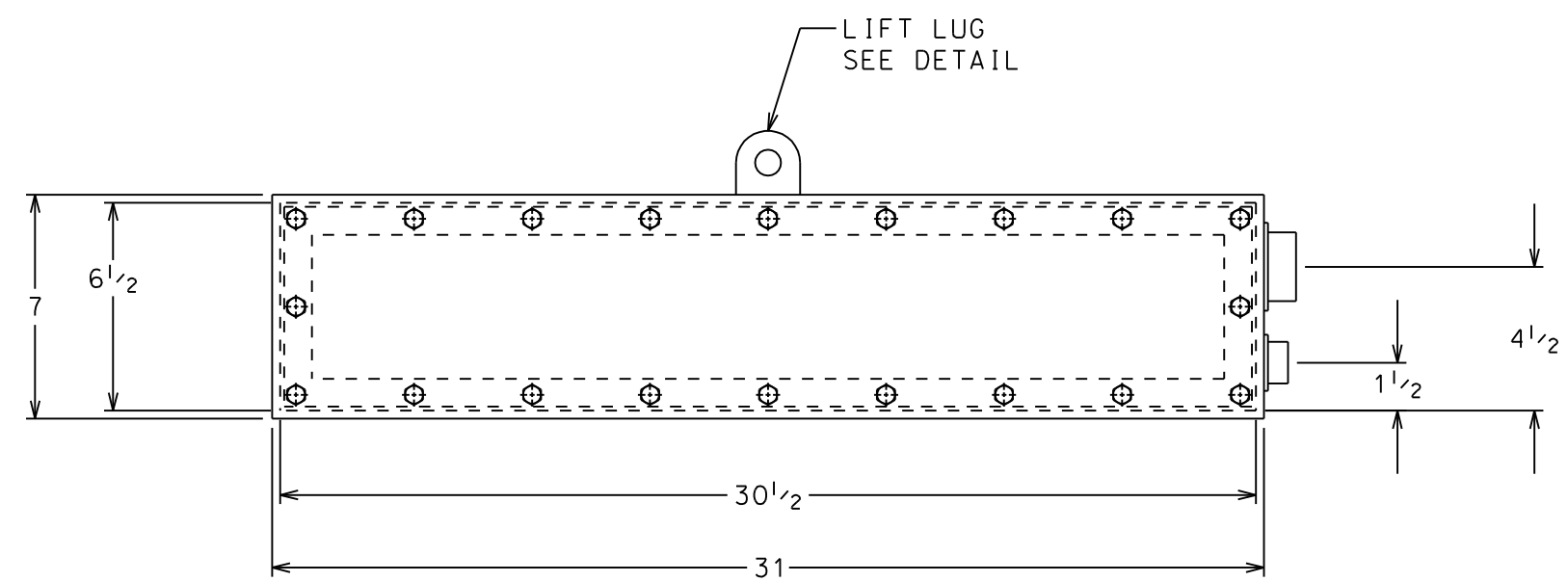


REVISIONS			
REV.	DESCRIPTION	DATE	APPROVED
0	INITIAL ISSUE	8/12/03	BTC MAB
A	REV. OUTLET TEMP.	9/11/03	BTC MAB

NOTES:  
 1. USE DRILL PATTERN T0311252 REV. 0.  
 2. ATTACH LIMIT THERMOCOUPLE PER ENGR. STD. 0001, NO. 3.

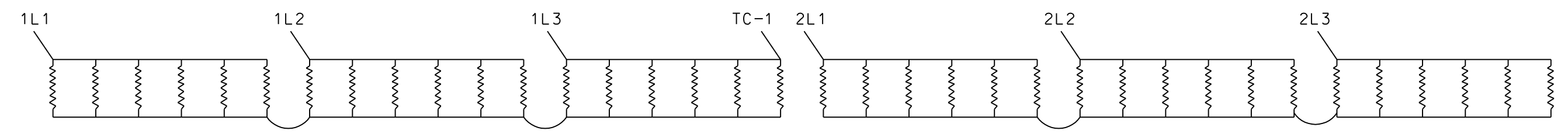


LIFT LUG DETAIL  
SA-516-70, 1/4" PLATE



PRODUCT FEATURES

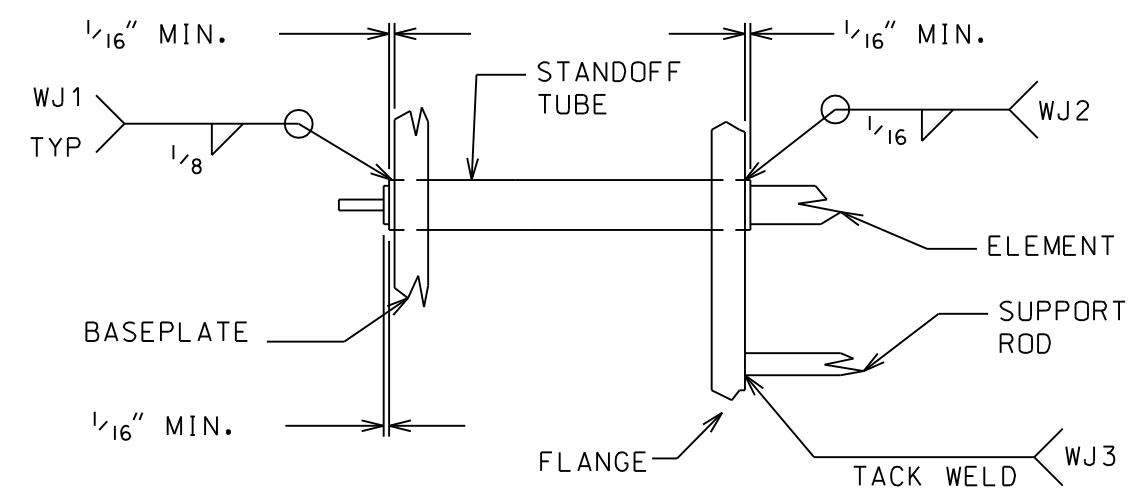
IMMERSION HEATER	
MODEL NO: 734-030A2252	
ELECTRICAL DATA	
DUTY: 60 KW, 480 VAC, 3 PH	
ELECTRICAL CLASSIFICATION: NON-HAZARDOUS	
ELECTRICAL ENCLOSURE: NEMA 4	
MAX ANTICIPATED HOUSING TEMP: AMBIENT	
ELECTRICAL CONNECTION(S): (2) 3PH CIRCUIT, #6 AWG MAX.	
PROCESS DATA	
MEDIUM: AIR	
FLOW RATE: 1400 CFM	
INLET TEMPERATURE: 10°F - 110°F	
OUTLET TEMPERATURE: 260°F - 360°F	
OPERATING PRESSURE: 5 1/2" WC	
ESTIMATED SHEATH TEMPERATURE: 900°F	
MATERIAL SPECIFICATIONS	
TUBESHEET: 30" X 7" X 1/2" THK (SA-516-70)	
HEATING ELEMENTS: 304 SS	
ELEMENT SUPPORTS: (2) 304 S/S	
ELEMENT END SEAL: EPOXY	
ENCLOSURE HARDWARE: ZINC PLATED	
ENCLOSURE PAINT: VENDOR STANDARD GRAY	
HEATER SPECIFICATION	
QTY & SIZE OF ELEMENTS: (36) 0.430" DIAMETER	
WATT DENSITY/HEAT FLUX: 23 WPSI	
IMMERSED LENGTH (BUNDLE REMOVAL DISTANCE): 33"	
LIMIT THERMOCOUPLE: (1) TYPE 'K', UNGROUNDED	
WEIGHT	
ESTIMATED HEATER BUNDLE WEIGHT: 150 LB	



ELEMENT WIRING DIAGRAM

DOUBLE BUSS ALL JUMPERS

RESISTANCE/CIRCUIT  
13.88 - 16.08 OHMS



ELEMENT AND STANDOFF WELD DETAIL

420680-VD898 SHT. 2 OF 3

UNLESS OTHERWISE SPECIFIED DIMENSIONS ARE IN INCHES		DRAWN: BTC CHECKED: MAB ENGR: [blank] O.A.: [blank]	DATE: 8/12/03 DATE: 8/12/03 DATE: [blank]	WATLOW PROCESS SYSTEMS ENVIRONMENTAL ELEMENTS CORPORATION Phone 858-745-7675 Fax 858-746-0537	TITLE: GEORGIA PACIFIC PENTHOUSE HEATER/BLOWER ENVIRONMENTAL ELEMENTS CORPORATION CUSTOMER P.O. NO.: 420680-8 HEATER BUNDLE DETAIL DRAWING	
.X = ± .01 .XX = ± .005 .XXX = ± .002 ANGLES = ± 2° FRACTIONS = ± 1/8	WATLOW ELECTRIC MANUFACTURING COMPANY CLAIMS PROPRIETARY RIGHTS IN THE MATERIAL HEREIN. IT IS SUPPLIED IN CONFIDENCE, WITHOUT PREJUDICE TO ANY PATENT RIGHTS OF WATLOW, AND MAY NOT BE REPRODUCED OR USED TO MANUFACTURE ANYTHING SHOWN THEREIN WITHOUT WATLOW'S WRITTEN PERMISSION.	CUSTOMER: ENVIRONMENTAL ELEMENTS CORP. CAD NO.: 734	SCALE: NONE PART NO.: 734-030A2252		DWG NO.: T0311252 SHEET: 2 OF 3	REV: A