

SERIES 626 & 628 | INDUSTRIAL PRESSURE TRANSMITTER/TRANSDUCER

FEATURES/BENEFITS

Standard:

- NEMA 4X rated enclosure
- Robust 316L SS oil filled sensor
- CE Approved Design
- 626: 0.25% FS
- 628: 1.0% FS

Optional:

- Advanced environmental protection
- C-276 wetted materials
- Digital or Analog Outputs (I2C)
- Custom range configuration
- Overpressure and/or vacuum protection

APPLICATIONS

- Booster stations
- Pumping systems
- Irrigation equipment
- PTO systems
- Submersible pump control

DESCRIPTION

The **SERIES 626 & 628** Pressure Transmitters feature a piezo-resistive sensor contained in a compact, rugged, NEMA 4X (IP66) stainless steel general purpose housing or cast aluminum conduit housing.

Dwyer offers optional configurations to address multiple common points of failure that have traditionally challenged the use of similar products in extreme conditions. The 626 & 628 are uniquely suited for precision irrigation and additional outdoor power equipment applications. The corrosion resistant 316L stainless steel wetted parts allow the Series 626 & 628 transmitters to measure pressure in a multitude of processes from simple irrigation systems to chemical dosing and injection systems. Optional wetted materials such as C-276 offer chemical compatibility with aggressive media. The 626 & 628 can be configured to provide advanced environmental protection. This includes, but is not limited to, freeze/thaw protection for outdoor cold weather applications, vibration resistance, and/or overpressure protection to protect the sensors against pressure surges or pump cavitation. The Series 626 & 628 are available in absolute and gauge pressure ranges with a variety of optional outputs, process connections, electrical terminations, and select agency approvals to allow you to select the correct transmitter for your application.

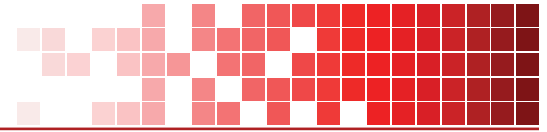
Contact Dwyer Instruments today to discuss your specific application needs.



SPECIFICATIONS

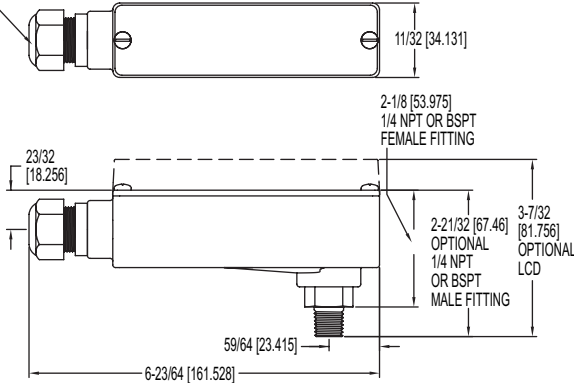
Service	Compatible gases and liquids.
Wetted Materials	Type 316L SS. (Consult factory for additional options)
Accuracy	626: 0.25% FS, 0.20% RSS; 628: 1.0% FS, 0.5% RSS; 626 Absolute Ranges: 0.5% FS, 0.30% RSS. (Includes linearity, hysteresis, and repeatability).
Temperature Limit	0 to 200°F (-18 to 93°C).
Compensated Temperature Range	0 to 175°F (-18 to 79°C).
Thermal Effect	±0.2% FS/°F (includes zero and span).
Pressure Limits	See table on catalog page.
Display	Optional 4-1/2 digit LCD field attachable display.
Power Requirement	10 to 30 VDC (for 4 to 20 mA, 0 to 5, 1 to 5, VDC outputs); 13 to 30 VDC (for 0 to 10 VDC output); 5 VDC ±0.5 VDC (for 0.5 to 4.5 VDC ratiometric output), 10 to 35 VDC (for 4 to 20 mA with -CB option); 13 to 35 VDC or isolated 16 to 33 VAC (for selectable output with -CB option).
Output Signal	4 to 20 mA, 0 to 5 VDC, 1 to 5 VDC, 0 to 10 VDC, or 0.5 to 4.5 VDC, or selectable 0 to 5, 1 to 5, 0 to 10, 2 to 10 VDC for -CB option.
Response Time	300 ms.
Loop Resistance	0 to 1000 Ohms max. R max = 50 (Vps-10) Ohms (4 to 20 mA output), 0 to 1250 Ohms max. Rmax = 50(Vps-10) Ohms (4 to 20 mA output with -CB option), 5K Ohms (0 to 5, 1 to 5, 0 to 10, 0.5 to 4.5 VDC output).
Stability	1.0% FS/year (typ).
Current Consumption	38 mA maximum (for 4 to 20 mA output); 10 mA maximum (for 0 to 5, 1 to 5, 0 to 10, 0.5 to 4.5 VDC output); 140 mA maximum (for all 626/628/629-CH with optional LED).
Electrical Connections	Conduit housing (-CH): Terminal block, 1/2" female NPT conduit; General purpose housing (-GH): Cable DIN EN 175801-803-C.
Process Connections	1/4" male or female NPT and BSPT.
Enclosure Rating	NEMA 4X (IP66).
Weight	10 oz (283 g).
Agency Approvals	Standard: CE; Optional: NSF/ANSI 61/372, ANSI/UL 218, ANSI/UL 508, NEPA 20



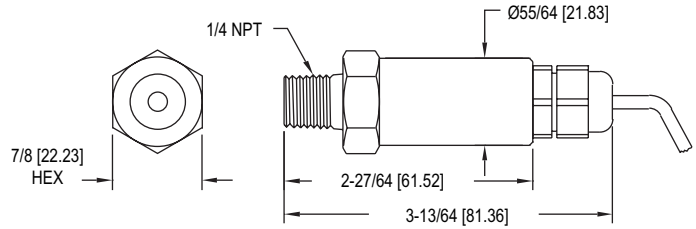


DIMENSIONS

LIQUID TIGHT FITTING
CORD DIAMETER RANGE
200 TO .350
(5.08 TO 8.89)



Conduit Housing



General Purpose Housing

HOW TO ORDER

Use the **bold** characters from the chart below to construct a product code.

	626	-05	-CH	-P3	-E1	-S1	-NIST	
SERIES								OPTIONS
626 - 0.25% full scale accuracy								-AT - Aluminum tag
628 - 1.0% full scale accuracy								-LED - Bright red LED display
								-NIST - NIST traceable calibration certificate
								-NW - NSF/ANSI 61/372 certified
RANGE								SIGNAL OUTPUT
-00 - 0 to 15 psia*	-14 - 0 to 500 psi						-S1 - 4 to 20 mA	
-01 - 0 to 30 psia*	-22 - 0 to 600 psi						-S2 - 1 to 5 VDC	
-02 - 0 to 50 psia*	-15 - 0 to 1000 psi						-S4 - 0 to 5 VDC	
-03 - 0 to 100 psia*	-16 - 0 to 1500 psi						-S5 - 0 to 10 VDC	
-04 - 0 to 200 psia*	-18 - 0 to 3000 psi						-S7 - 0.5 to 4.5 VDC	
-05 - 0 to 300 psia*	-19 - 0 to 5000 psi						-S8 - 0 to 5, 1 to 5, 0 to 10, 2 to 10 VDC	
-06 - 0 to 5 psi	-26 - 0 to 8000 psi						ELECTRICAL CONNECTIONS	
-07 - 0 to 15 psi	-67 - 0 to 0.5 bar*						-E1 - Cable gland with 3' of prewired cable	
-08 - 0 to 30 psi	-71 - 0 to 2.5 bar*						-E3 - Cable gland with 9' of prewired cable	
-09 - 0 to 50 psi	-75 - 0 to 10 bar*						-E4 - DIN EN 175801-803-C	
-10 - 0 to 100 psi	-81 - 0 to 40 bar*						-E5 - 1/2" female NPT conduit	
-11 - 0 to 150 psi							-E6 - M-12 4-pin connector UL listed	
-12 - 0 to 200 psi							-E8 - Packard connector	
-13 - 0 to 300 psi							-E9 - M-12 4-pin connector non-UL listed	
							PROCESS CONNECTIONS	
							-P1 - 1/4" male NPT	
							-P2 - 1/4" female NPT	
							-P3 - 1/4" male BSPT	
							-P5 - 1/4" female SAE w/ refrigerant valve depressor	
							-P9 - 1/2" male NPT	
							HOUSING	
							-CB - Conduit box housing	
							-GH - General purpose housing	

ACCESSORIES

Model	Description	Model	Description
A-164	16.4' (5 m) cable with M-12 4-pin female connector	A-961	9' (3 m) Packard cable
A-62X-LCD	Field-upgradeable LCD	A-962	20' (7 m) Packard cable
A-960	3' (1 m) Packard cable		

Important Notice: Dwyer Instruments, Inc. reserves the right to make changes to or discontinue any product or service identified in this publication without notice. Dwyer advises its customers to obtain the latest version of the relevant information to verify, before placing any orders, that the information being relied upon is current.

