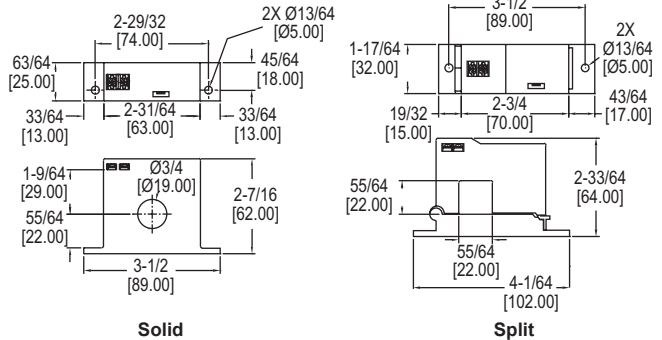


Dwyer

SERIES CCT40/50

CURRENT TRANSFORMERS

Solid or Split Core, Field Selectable Range



The Series CCT40/50 Current Transformers are a low cost alternative for measuring power and monitoring the operation of fans, pumps, or other equipment. For use on existing installations, split core models can be installed without disconnecting cables. Each model offers three jumper selectable ranges and a choice of three different outputs.

| MODEL CHART | | | | |
|-------------|---------------|---------|----------------------------|------------|
| Model | Range | Output | Power Requirements | Case |
| CCT40-202 | 10/20/50 A | 0-5 V | Self-powered | Solid core |
| CCT50-202 | 100/150/200 A | 0-5 V | Self-powered | Solid core |
| CCT40-102 | 10/20/50 A | 0-5 V | Self-powered | Split core |
| CCT50-102 | 100/150/200 A | 0-5 V | Self-powered | Split core |
| CCT40-203 | 10/20/50 A | 0-10 V | Self-powered | Solid core |
| CCT50-203 | 100/150/200 A | 0-10 V | Self-powered | Solid core |
| CCT40-200 | 10/20/50 A | 4-20 mA | 15 to 42 VDC, loop powered | Solid core |
| CCT50-200 | 100/150/200 A | 4-20 mA | 15 to 42 VDC, loop powered | Solid core |
| CCT40-100 | 10/20/50 A | 4-20 mA | 15 to 42 VDC, loop powered | Split core |
| CCT50-100 | 100/150/200 A | 4-20 mA | 15 to 42 VDC, loop powered | Split core |

SPECIFICATIONS

Amperage Range: Field selectable; up to 200 A (depending on model).
Output: 0-5 V, 0-10 V, or 4-20 mA (depending on model).
Power Requirements: Self-powered or 15-42 VDC loop powered (depending on model).
Accuracy: 1%.
Temperature Limits: -22 to 158°F (-30 to 70°C).
Humidity Limits: 0 to 95% (non-condensing).
Response Time: 250 ms to 90%.
Isolation Voltage: 2000 V.
Frequency: 10 to 400 Hz.
Enclosure Rating: UL 94 V-0 flammability rated, ABS plastic housing.
Agency Approvals: CE, cULus.

FEATURES/BENEFITS

- Integral mounting flange for quick installation
- Solid core or split core configurations
- Jumper selectable range

APPLICATIONS

- BAS
- HVAC



PROCESS CONTROL