

# DH SERIES REGULATOR

LOW PRESS., HIGH FLOW, SELF VENTING, PRESS. REDUCING REGULATOR

## GENERAL SPECIFICATIONS:

INLET PRESSURE: 500 PSI  
 OUTLET PRESSURE: SEE TABLE III  
 DESIGN PROOF PRESSURE: 150% OF RATED PRESSURE  
 PRESSURE RATING: PER CRITERIA OF ANSI/ASME B31.3  
 OPERATING TEMPERATURE LIMIT DETERMINED BY MOST RESTRICTIVE ELEMENT. (SEE TABLE IV, V AND VI)  
 LEAKAGE: BUBBLE TIGHT  
 ORIFICE FLOW CAPACITY (Cv): 5  
 APPROX. WEIGHTS: SST: 15 LBS, BRASS: 16 LBS

## MATERIALS CONTACTING LINE MEDIA:

SEAT, MAIN VALVE: SEE TABLE IV  
 SEAT, VENT: SEE TABLE VI  
 SEAL: PCTFE  
 O-RINGS: SEE TABLE IV  
 BODY, BONNET, BACK CAP: SEE TABLE II  
 DIAPHRAGM: SEE TABLE V  
 REMAINING PARTS: 300 SERIES SST/ NITRONIC 60

## ASSEMBLY INFORMATION:

SPRING LOADED, HANDKNOB ADJUST SEE: A62022-04 PART NUMBER  
 SPRING LOADED, WRENCH ADJUST SEE: A62022-05  
 DOME LOADED, NON VENTING SEE: A62022-08  
 DOME LOADED, SEGREGATED VENT SEE: A62022-11

TABLE I	DASH LTR	LOAD TYPE
	D	DOMES LOADED (AVAILABLE WITHN GYLON DIAPH. ONLY)
	H	SPRING LOADED, HANDKNOB
	W	SPRING LOADED, WRENCH

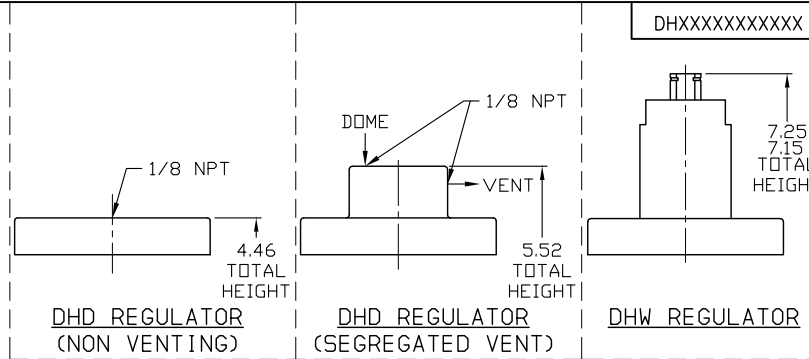
TABLE II	DASH NO.	BODY, BONNET, BACK CAP MATERIAL
	1	BRASS
	6	316 SST

TABLE III	DASH NO.	OUTLET PRESSURE
	0	0-20 PSI
	1	0-50 PSI
	2	0-100 PSI
	3	0-150 PSI
	5	0-250 PSI
	D	0-300 PSI (DOME LOAD ONLY)

TABLE IV	DASH LTR	O-RING & VALVE SEAT MATERIAL	TEMPERATURE
	B	BUNA-N	-30°F TO 165°F
	E	E.P.	-30°F TO 165°F
	M	CHEMRAZ	0°F TO 165°F
	V	FKM	-15°F TO 165°F

TABLE V	DASH NO.	DIAPHRAGM MATERIAL	TEMPERATURE
	E	E.P./ NYLON REINFORCED	-30°F TO 165°F
	G	GYLON	-30°F TO 165°F

TABLE VI	DASH NO.	VENT SEAT MATERIAL	TEMPERATURE
	C	PCTFE	-30°F TO 140°F
	V	VESPEL	-30°F TO 165°F
	P	PEEK	-30°F TO 165°F
	N	NON VENTING	N/A



OUTLET CROSS HOLE FLOW CAPACITY	
PORT CODE	Cv
H	3.5
3,4	6.6

INLET, OUTLET & GAUGE PORTS						
TABLE IX	PORT TYPE	PORT SIZE				NONE
		1/4 GAUGES ONLY	1/2	3/4	1	
	NPT	F	H	3	4	9
	HPIC	Y	-	-	-	

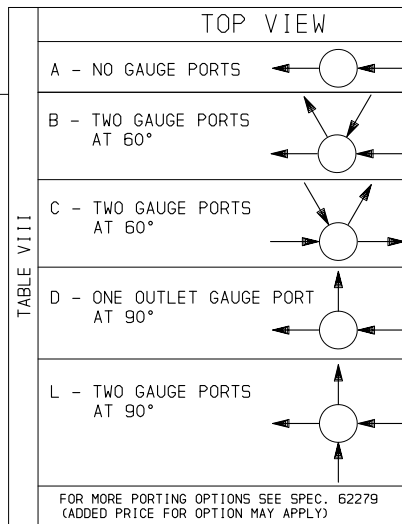


TABLE VII	DASH NO.	OPTIONAL ITEMS
	9	NONE

CC	7-25-19	50836-18	EWN	MJW
CB	4-23-20	50366-20	DRM	TWL
CA	6-13-19	50471-19	EWN	WRB
BY	11-28-18	51180-18	DRM	WRB
BV	10-23-18	51001-18	DRM	WRB
BU	10-11-18	51025-18	BG	WRB
BT	7-25-18	50439-18	ZXC	WRB
BS	4-24-18	51030-17	BG	WRB
BR	6-13-16	50534-16	MGM	WRB
BP	5-9-16	2663-16	TZ	TWL

**TESCOM CORPORATION**  
 INDUSTRIAL CONTROLS DIVISION  
 ELK RIVER, MN USA

INFORMATION CONTAINED ON THIS DOCUMENT IS THE PROPERTY OF TESCOM CORPORATION. NO RIGHTS ARE CONVEYED NOR IS PERMISSION TO DISCLOSE TO OTHERS GIVEN.

UNLESS OTHERWISE SPECIFIED:  
 .0 ± .020 ANGLES: ±1°  
 .00 ± .010  
 .000 ± .005  
 SURFACE ROUGHNESS: 100/  
 CORNER & FILLET RADI: .005-.020  
 THREADS: CLASS 2  
 REMOVE ALL BURRS  
 MFG. SPEC. 60301

DRAWING MADE IN THIRD ANGLE PROJECTION  
 (DO NOT SCALE DRAWING)

MATERIAL: \_\_\_\_\_

FINISH: \_\_\_\_\_

DRAWN BY: \_\_\_\_\_ CHECKED BY: \_\_\_\_\_ APPROVED BY: \_\_\_\_\_  
 TWL 6-8-99 CRN 7-12-99 CRN 7-12-99

NAME: \_\_\_\_\_

INSTALLATION INFO.

SCALE: 1:1 SIZE NUMBER: \_\_\_\_\_  
 CODE NO. 13669 C SHT. 1 OF 1

