



Features

- Rugged stainless steel valve with piston design built to withstand pressure ratings over 5,000 psi
- High flow design for fast CNG dispensing, reduces vehicle fill time
- Ambient temperature range -40°F to 158°F (-40°C to 70°C)
- PEEK piston provides tight sealing and durable operation
- Suitable for use in Class I, Div. 1 hazardous locations
- Mountable in any position

Construction

Valve Parts in Contact with Fluids	
Body	303 Stainless Steel
Core Tube	Aluminum bronze
Piston	PEEK
Core and Plugnut	430F Stainless Steel
Springs	301 Stainless Steel
Sealing (U-cup)	PTFE/302 Stainless Steel
Seals	FKM

Electrical

Standard Coil and Class of Insulation	Watt Rating and Power Consumption				Spare Coil Part Number	
	DC Watts	AC			Explosionproof	
		Watts	VA Holding	VA Inrush	AC	DC
F	11.6	12	12	12	276000	238714

Standard Voltages: 24/50-60, 115/50-60, 120/50-60, 200/50-60, 230/50-60, and 240/50-60 volts AC, or 6, 12, 24, 48, 110, 120 and 240 volts DC.



Solenoid Enclosures

Explosionproof and Watertight, Types 3, 3S, 4, 4X, 6, 6P, 7 and 9.

Nominal Ambient Temp. Range

-40°F to 158°F (-40°C to 70°C)

Approvals

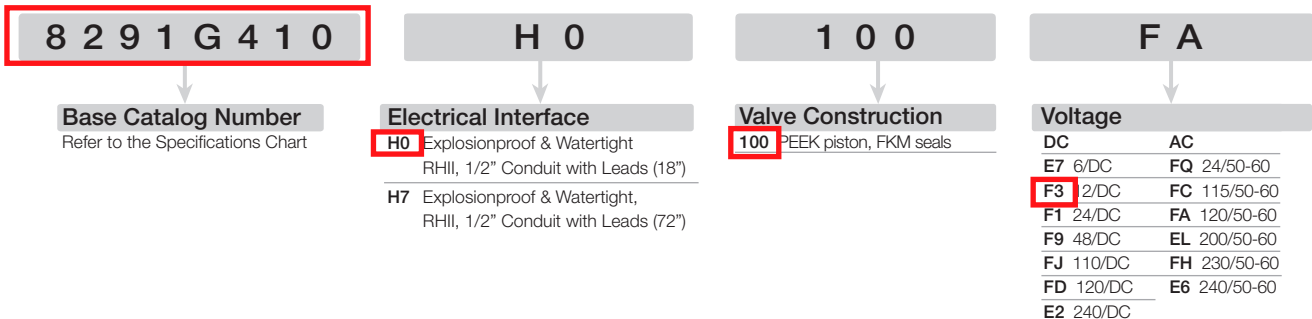
UL listed solenoid for hazardous locations - File E12264
 CSA certified solenoid for hazardous locations - File 13976
 Meets applicable CE directives

Options

Three and six-station manifolds available, consult factory.
 Rebuild kits available, consult factory.

SPECIAL SERVICE VALVES

How to Order



Specifications (English units)

Pipe Size (in)	Orifice Size (in)	Cv Flow Factor	Operating Pressure Differential (psi)		Max. Fluid Temp. °F	Base Catalog Number			Const. Ref.	Watt Rating/ Class of Coil Insulation	
			Compressed Natural Gas			ISO thread ①	NPT thread	SAE thread		AC	DC
			Min.	Max.							
Normally Closed (Closed when de-energized)											
3/8	5/16	1.1	145	5,070	158	G291G410	8291G410	7291G410 ②	1	12.0/F	11.6/F
1/2	15/32	2.7	145	5,070	158	G291G420	8291G420	7291G420 ③	2	12.0/F	11.6/F
1	45/64	8.8	145	5,070	158	-	8291G431	7291G431 ④	3	12.0/F	11.6/F

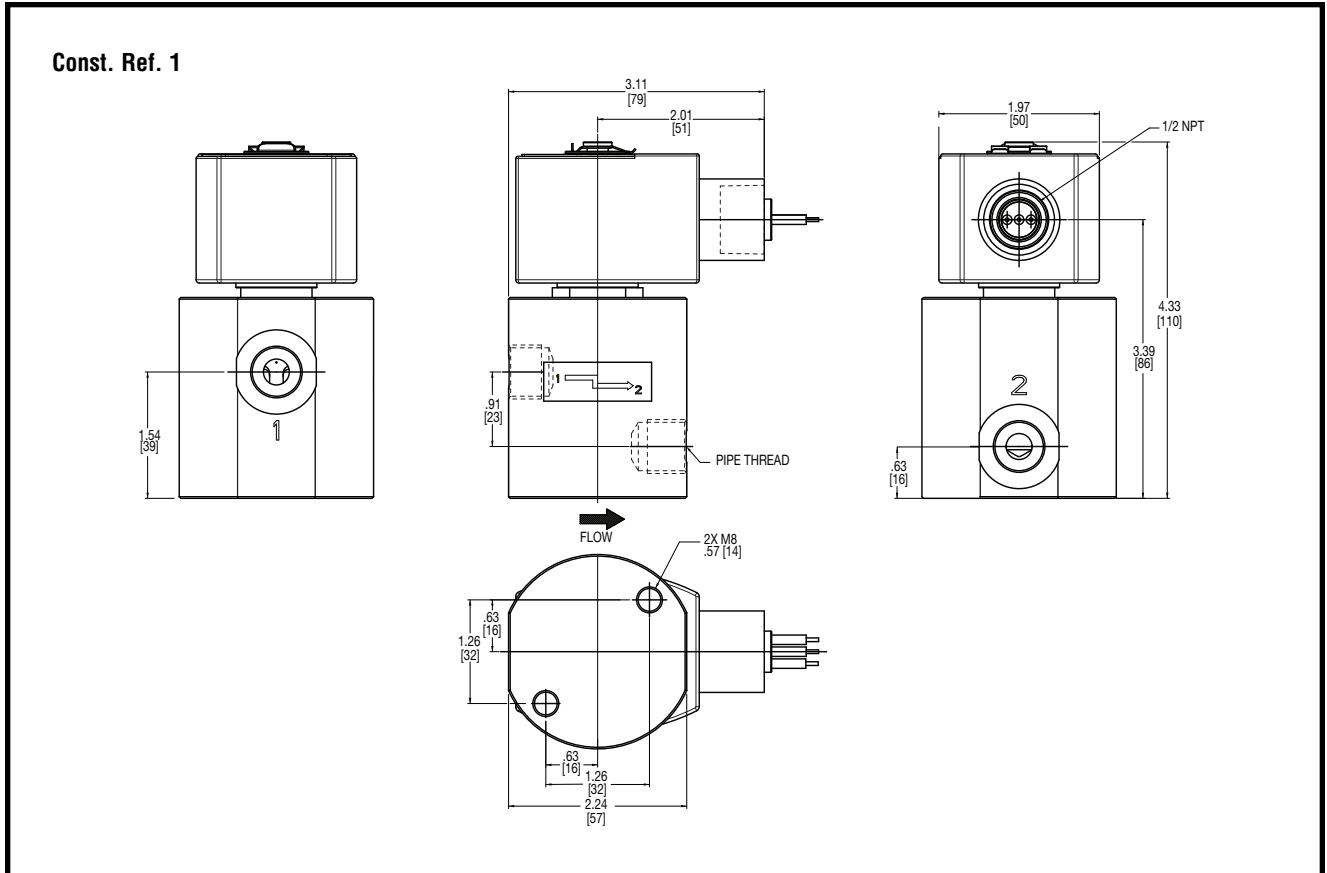
① ISO 228 thread. ② (SAE 6), ③ (SAE 8), ④ (SAE 16)

Specifications (Metric units)

Pipe Size (in)	Orifice Size (mm)	Kv Flow (m³/hr)	Operating Pressure Differential (bar)		Max. Fluid Temp. °C	Base Catalog Number			Const. Ref.	Watt Rating/ Class of Coil Insulation	
			Compressed Natural Gas			ISO thread ①	NPT thread	SAE thread		AC	DC
			Min.	Max.							
Normally Closed (Closed when de-energized)											
3/8	8	0.96	10	350	70	G291G410	8291G410	7291G410 ②	1	12.0/F	11.6/F
1/2	12	2.3	10	350	70	G291G420	8291G420	7291G420 ③	2	12.0/F	11.6/F
1	18	7.6	10	350	70	-	8291G431	7291G431 ④	3	12.0/F	11.6/F

① ISO 228 thread. ② (SAE 6), ③ (SAE 8), ④ (SAE 16)

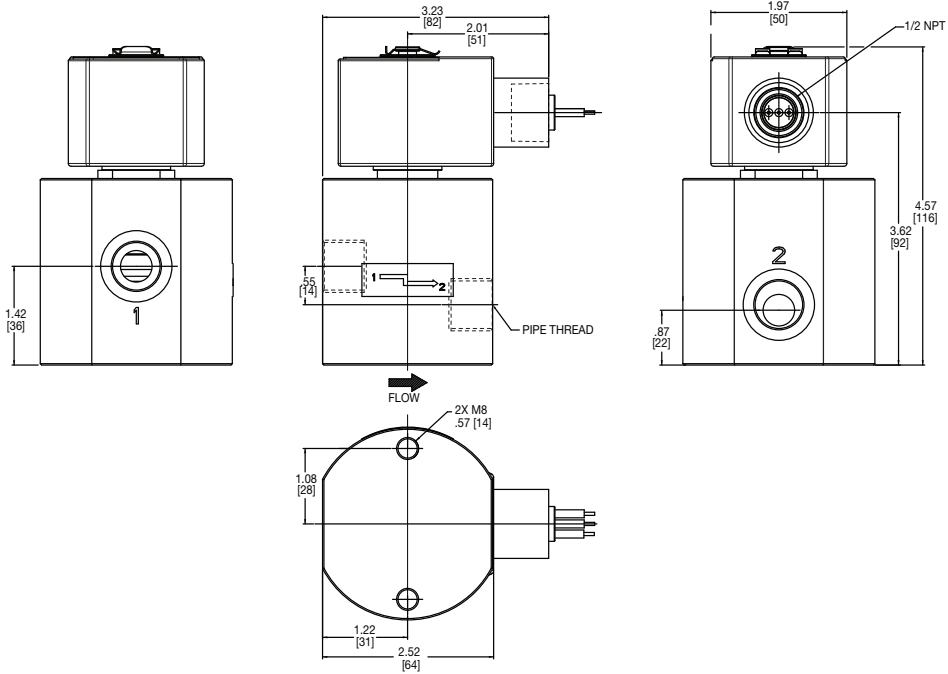
Dimensions inches (mm)



SPECIAL SERVICE VALVES

Dimensions inches (mm)

Const. Ref. 2



Const. Ref. 3

