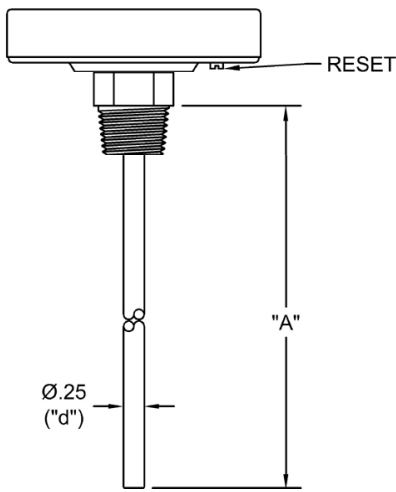
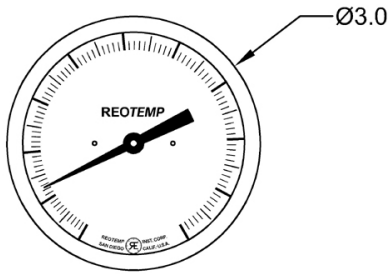


Bimetal Thermometer



Part #:	AA0251F69
Description:	Industrial Bimetal Dial Thermometer, 3" Dial Back Conn./Reset, 2.5" Stem, 1/2" NPT (fits std. thermowell), 50/550°F

Thermometer Data:	
<i>Dial Size/ Configuration:</i>	3" Dial Back Conn./Reset
<i>Stem Length, "A" :</i>	2.5 in. (64mm)
<i>Stem Dia., "d" :</i>	1/4"
<i>Process Connection:</i>	1/2" NPT (fits std. thermowell)
<i>Temperature Range:</i>	50/550°F
<i>Accuracy:</i>	+/- 1% of full scale
<i>Actuation:</i>	Bimetal coil in stem
<i>Sealing:</i>	Hermetically Sealed per ASME B40.3

Revisions*:	Data generated on:	3/4/2021
Latest Rev:	x1	Rev. Date: 11/1/2012
Description:	Initial Release	

*Revision date applies to all possible data: Individual drawings may not be affected. To obtain current revision, re-generate drawing at www.reotemp.com.

THIS DRAWING AND SPECIFICATIONS ARE THE PROPERTY OF REOTEMP INSTRUMENT CORP. AND ARE ISSUED IN STRICT CONFIDENCE AND SHALL NOT BE REPRODUCED, COPIED OR USED AS THE BASIS FOR MANUFACTURE OR SALE OF ITEMS DEPICTED HEREIN WITHOUT WRITTEN PERMISSION FROM REOTEMP INSTRUMENT CORP.
 NOTES (UNLESS OTHERWISE SPECIFIED):
 1. DIMENSIONS ARE IN INCHES

File Control
BH-AA
BC-1A
BS-25

Part Name: AA0251F69		REOTEMP Instrument Corporation 10656 Roselle Street San Diego, CA 92121 USA Phone: (858) 784-0710 Fax: (858) 784-0720		DATE SEE ABOVE
UNLESS OTHERWISE SPECIFIED DIMENSIONS ARE IN INCHES TOLERANCES ARE: FRACTIONS DECIMALS ANGLES ± 1/32 .X ± .2 ± 5° .XX ± .01 .XXX ± .005				DRAWN BY JR
Copyright © 2012 REOTEMP Instruments		SIZE B	CAGE CODE: 24793	DWG NO. SEE ABOVE
SCALE: NTS		FILE NAME:		SHEET 1 OF 1