

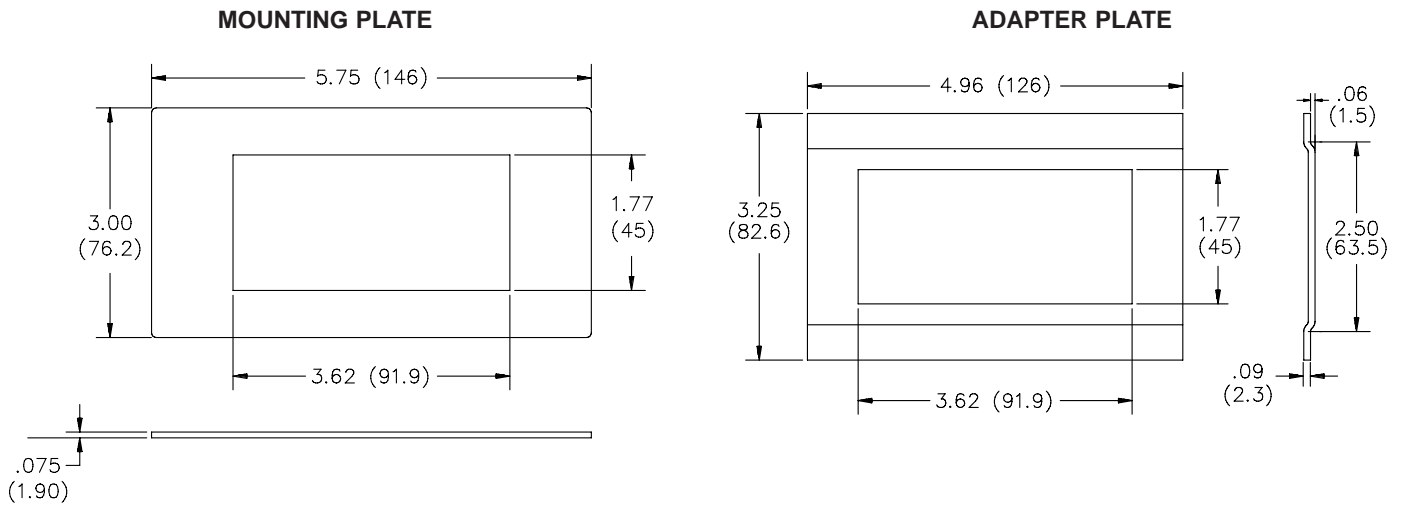
## MODEL PMK8 - PANEL MOUNT ADAPTER KIT FOR PAX TO GEMINI CUT-OUT

The **PMK8** panel mount adapter kit is used to mount a PAX meter into an existing GEMINI panel cut-out. The kit includes two durable steel mounting plates painted black and a neoprene gasket. The Adapter Kit, when used with a meter which has NEMA 4/IP65 specifications, will meet NEMA 4/IP65 requirements when properly installed.

### ORDERING INFORMATION

MODEL NO.	DESCRIPTION	PART NUMBER
PMK8	Panel Mount Adapter Kit (PAX to Gemini)	PMK80000

### PMK8 DIMENSIONS In inches (mm)



### PMK8 INSTALLATION

1. Apply the panel gasket (*provided with the meter*) over the PAX meter.
2. Insert the PAX meter through the mounting plate.
3. Apply the panel gasket (*provided with the adapter kit*) over the PAX meter behind the mounting plate.
4. Insert the PAX meter with mounting plate and gaskets into the front of the existing Gemini hole cut-out. Slide the adapter plate over the rear of the PAX meter.
5. Slide the panel latch (*provided with the meter*) over the rear of the PAX meter and tighten the screws.

