

Pointer

Black aluminum, friction adjustable

Case

304 stainless steel with vent plug and polished stainless steel bayonet ring. Suitable for liquid filling. Welded case/socket connection

Window

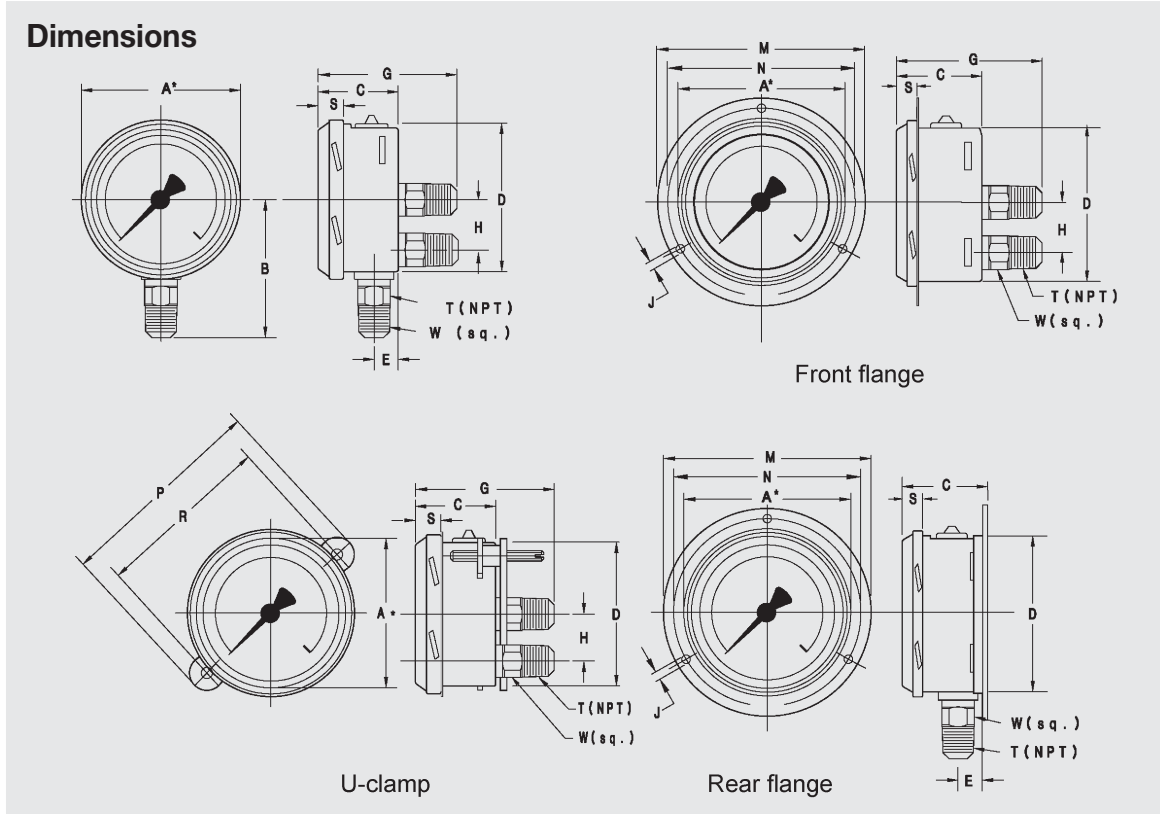
Laminated safety glass with Buna-N gasket

Case fill

Glycerine 99.7% - Type 233.54

Optional extras

- 316SS restrictor
- Accuracy $\pm 1.0\%$ of full scale (2 1/2" size)
- Stainless steel front or rear flange
- Zinc-plated steel or SS u-clamp bracket (field installable)
- Red drag pointer or mark pointer
- Silicone or fluorolube case filling
- Special connections limited to wrench flat area
- Custom dial layout
- Other pressure scales available
bar, kPa, MPa, kg/cm² and dual scales



Size		A	B	C	D	E	G	H	J	M	N	P	R	S	T	W	Weight
2.5"	mm	70	54	33.5	62	13	55.5	-	3.6	85	75	87	72	12		14	0.36 lb. dry
	in	2.75	2.13	1.32	2.44	0.51	2.19	-	0.14	3.35	2.95	3.43	2.83	0.47	1/4"	0.55	0.44 lb. filled
4"	mm	110	87	49.5	100	15.5	81	30	4.8	132	116	125	110	15		22	1.10 lb. dry
	in	4.30	3.43	1.95	3.94	0.61	3.19	1.18	0.19	5.20	4.57	4.92	4.33	0.59	1/2"	0.87	1.76 lb. filled

Recommended panel cutout is dimension D + 1 mm

Ordering information

Pressure gauge model / Nominal size / Scale range / Size of connection / Optional extras required
 Specifications and dimensions given in this leaflet represent the state of engineering at the time of printing.
 Modifications may take place and materials specified may be replaced by others without prior notice.



WIKAL Instrument Corporation
 1000 Wiegand Boulevard
 Lawrenceville, GA 30045
 Tel (770) 513-8200 Toll-free 1-888-WIKA-USA
 Fax (770) 338-5118
 E-Mail info@wika.com
 www.wika.com