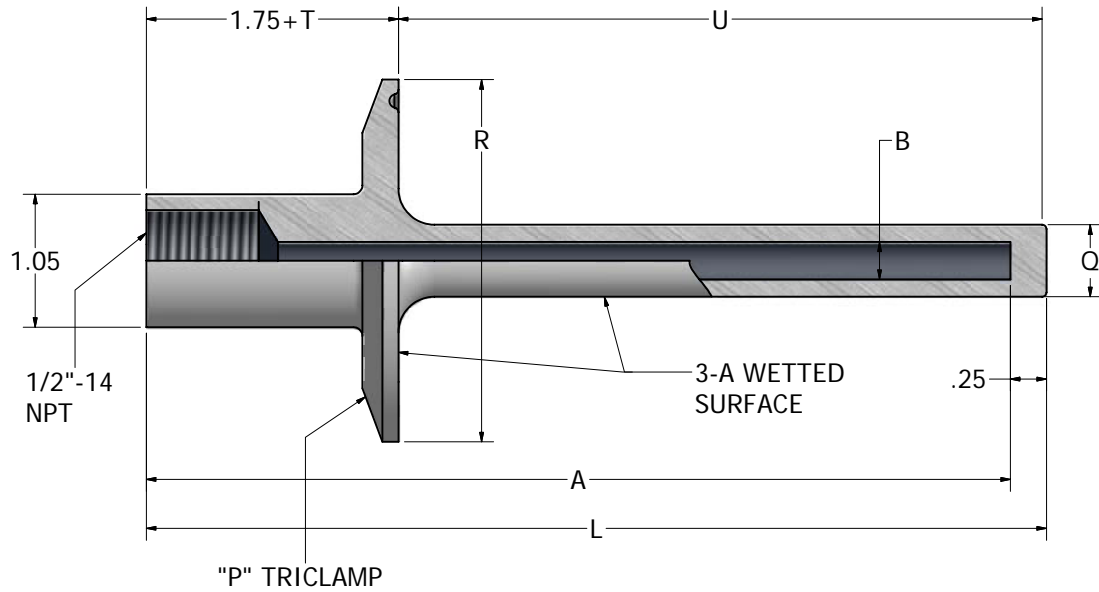


# REOTEMP INSTRUMENTS Product drawing

## THERMOWELL WITH:

- Triclamp with 3A Sanitary Surfaces
- Straight Shank



Reotemp Part#: **STF1.5-29U27.5**

Material: **316/L Stainless**

### Dimensions (inches):

Bore Dia. B:	.260" bore, for 1/4" dia. Element"
Element Length A:	29"
Overall Length L:	29.25"
Insertion Length U:	27.5"
Lag T:	0"
Process P:	1.5" Triclamp (o.d.=2.0 in.)
Shank dia. Q:	.500"
Face o.d. R:	2.0"

### Options included (not depicted in Dwg.)

- |           |  |
|-----------|--|
| Option 1: |  |
| Option 2: |  |
| Option 3: |  |
| Option 4: |  |
| Option 5: |  |
| Option 6: |  |
| Option 7: |  |
| Option 8: |  |

Drawing No.: **TWC-SS-STF1.5-29U27.5**

Data production date: 12/12/2019

THIS DRAWING AND SPECIFICATIONS ARE THE PROPERTY OF REOTEMP INSTRUMENT CORP., AND ARE ISSUED IN STRICT CONFIDENCE AND SHALL NOT BE REPRODUCED, COPIED OR USED AS THE BASIS FOR MANUFACTURE OR SALE OF ITEMS DEPICTED HEREIN WITHOUT WRITTEN PERMISSION FROM REOTEMP INSTRUMENT CORP.

### NOTES (UNLESS OTHERWISE SPECIFIED)

- 1) DIMENSIONS ARE IN INCHES
- 2) DIMENSIONS ARE SUBJECT TO CHANGE. FINAL DIMENSIONAL VERIFICATION CAN BE REQUESTED AT TIME OF ORDER.

REVISIONS			
REV	DESCRIPTION	DATE	APPROVED
X1	INITIAL RELEASE	5/14/10	MO

PART NAME THERMOWELL, SANITARY, STRAIGHT SHANK			
UNLESS OTHERWISE SPECIFIED DIMENSIONS ARE IN INCHES TOLERANCES ARE:		REOTEMP Instrument Corporation	
FRACTIONS ±1/32		10656 Roselle Street	
DECIMALS .X ±.03		San Diego, CA 92121 USA	
ANGLES .XX ±.01		Phone: (858) 784-0710	
.XXX ±.005		Fax: (858) 784-07-20	
PART NO	SIZE	CAGE CODE	BASE DWG NO
SEE CHART	C	24793	TWC-SS
FIRST USED ON	SCALE: NTS	FILE NAME: CF	REV X1