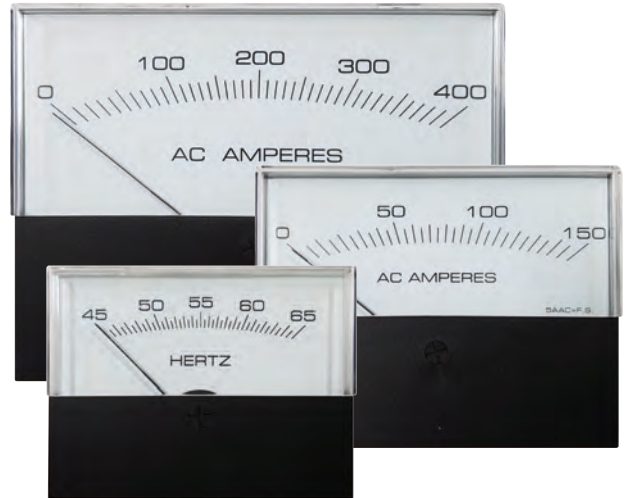




# ST75 / ST95 / ST125 SERIES

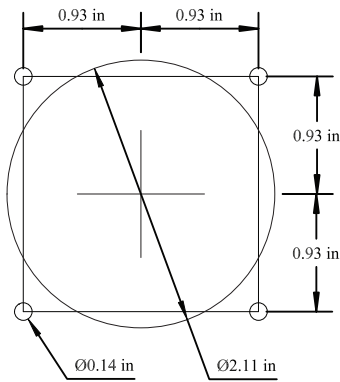
## GENERAL SPECIFICATIONS - ST75 / ST95 / ST125

**Size:** ST75 - 2.5"  
 ST95 - 3.5"  
 ST125 - 4.5"  
**Accuracy:** All AC & DC Iron Vane +/-2% of Full Scale  
 ALL AC Rectifier Type +/-3% of Full Scale  
 All Frequency Type +/-0.3HZ  
**Overload:** ALL AC & DC Voltmeters - 50% Momentary / 20% Prolonged  
 ALL AC & DC Ammeters - 50% Momentary / 20% Prolonged  
 All Frequency Type - 20% Maximum  
**Burden:** AC Ammeters - 0.5VA Maximum  
**Standards:** ANSI C39.1  
**Approvals:** CE

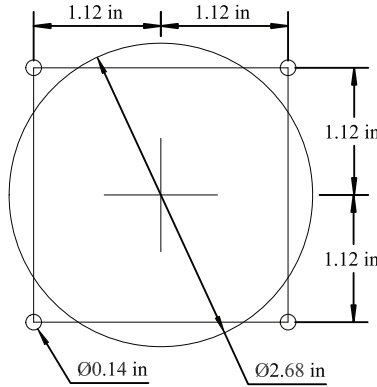


## DIMENSIONS

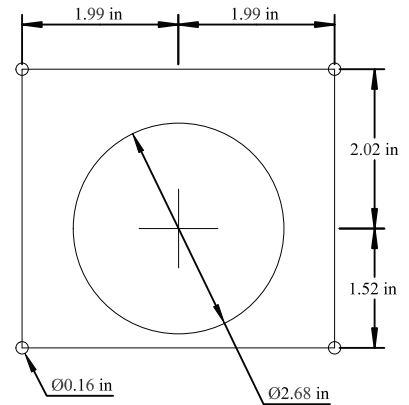
ST75 Panel Cutout



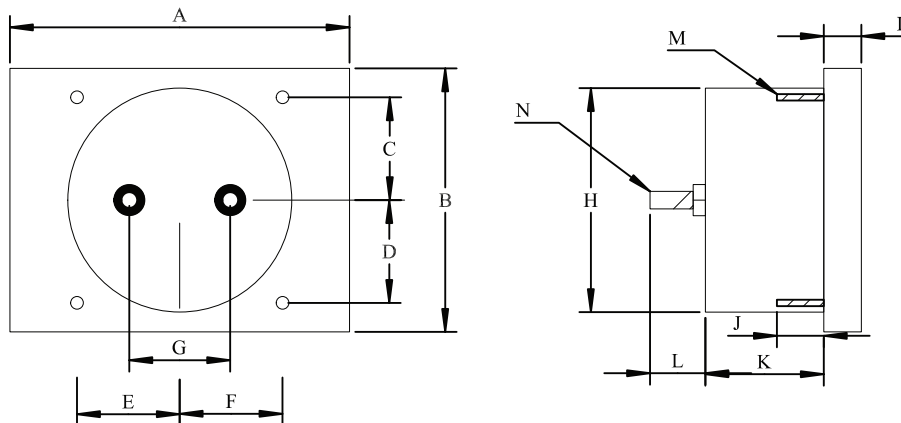
ST95 Panel Cutout



ST125 Panel Cutout



ST 75 / 95 / 125 Dimensions



MODELS	A	B	C	D	E	F	G	H	I	J	K	L
ST75	2.98	2.27	0.93	0.93	0.93	0.93	0.95	2.09	0.41	0.51	1.16	0.47
ST95	3.70	2.87	1.12	1.12	1.12	1.12	1.10	2.44	0.41	0.51	1.29	0.47
ST125	5.08	3.96	2.03	1.52	1.99	1.99	1.10	2.64	0.51	0.51	1.29	0.47

**POWER MEASUREMENT AND CONTROL SPECIALISTS**

# STANDARD PART NUMBERS

## 2.5" AC VOLTMETERS

Model	Input	Scale
ST75150V150V	0-150V,AC	0-150V,AC
ST75300V300V	0-300V,AC	0-300V,AC
ST75600V600V	0-600V,AC	0-600V,AC
ST75150V600V	0-150V,AC	0-600V,AC
ST75300V600V	0-300V,AC	0-600V,AC
ST75150V*V	0-150V,AC	0-*V,AC

Note:\*advise desired PT ratio / end scale value.  
Note: Also available in moving coil rectifier type.  
Please consult factory.

## 2.5" DC VOLTMETERS

Model	Input	Scale
ST75DC30V30V	0-30V,DC	0-30V,DC
ST75DC50V50V	0-50V,DC	0-50V,DC
ST75DC100V100V	0-100V,DC	0-100V,DC
ST75DC150V150V	0-150V,DC	0-150V,DC
ST75DC300V300V	0-300V,DC	0-300V,DC

## 2.5" AC AMMETERS

Model	Input	Scale
ST755A50A	0-5A,AC	0-50A,AC
ST755A100A	0-5A,AC	0-100A,AC
ST755A150A	0-5A,AC	0-150A,AC
ST755A200A	0-5A,AC	0-200A,AC
ST755A**A	0-5A,AC	0-**A,AC

Note:\*\*advise desired CT ratio / end scale value.

## 2.5" FREQUENCY METERS

Model	Input	Scale
ST75HZ55651	120V,AC	55-65HZ
ST75HZ45651	120V,AC	45-65HZ
ST75HZ45551	120V,AC	45-55HZ
ST75HZ55652	240V,AC	55-65HZ
ST75HZ45652	240V,AC	45-65HZ
ST75HZ45552	240V,AC	45-55HZ

## 2.5" DC INDICATORS

Model	Input	Scale
ST75DC50mV/***	0-50mV,DC	0-***
ST75DC1ma/***	0-1mA,DC	0-***
ST75DC420ma/***	4-20mA,DC	0-***
ST75DC****V/***	0-****V,DC	0-***

Note:\*\*\*=advise end scale value and caption  
Note:\*\*\*\*=advise end scale voltage input.

## 3.5" AC VOLTMETERS

Model	Input	Scale
ST95150V150V	0-150V,AC	0-150V,AC
ST95300V300V	0-300V,AC	0-300V,AC
ST95600V600V	0-600V,AC	0-600V,AC
ST95150V600V	0-150V,AC	0-600V,AC
ST95300V600V	0-300V,AC	0-600V,AC
ST95150V*V	0-150V,AC	0-*V,AC

Note:\*advise desired PT ratio / end scale value.  
Note: Also available in moving coil rectifier type.  
Please consult factory.

## 3.5" DC VOLTMETERS

Model	Input	Scale
ST95DC30V30V	0-30V,DC	0-30V,DC
ST95DC50V50V	0-50V,DC	0-50V,DC
ST95DC100V100V	0-100V,DC	0-100V,DC
ST95DC150V150V	0-150V,DC	0-150V,DC
ST95DC300V300V	0-300V,DC	0-300V,DC

## 3.5" AC AMMETERS

Model	Input	Scale
ST955A50A	0-5A,AC	0-50A,AC
ST955A100A	0-5A,AC	0-100A,AC
ST955A150A	0-5A,AC	0-150A,AC
ST955A200A	0-5A,AC	0-200A,AC
ST955A**A	0-5A,AC	0-**A,AC

Note:\*\*advise desired CT ratio / end scale value.

## 3.5" FREQUENCY METERS

Model	Input	Scale
ST95HZ55651	120V,AC	55-65HZ
ST95HZ45651	120V,AC	45-65HZ
ST95HZ45551	120V,AC	45-55HZ
ST95HZ55652	240V,AC	55-65HZ
ST95HZ45652	240V,AC	45-65HZ
ST95HZ45552	240V,AC	45-55HZ

## 3.5" DC INDICATORS

Model	Input	Scale
ST95DC50mV/***	0-50mV,DC	0-***
ST95DC1ma/***	0-1mA,DC	0-***
ST95DC420ma/***	4-20mA,DC	0-***
ST95DC****V/***	0-****V,DC	0-***

Note:\*\*\*=advise end scale value and caption  
Note:\*\*\*\*=advise end scale voltage input.

## 4.5" AC VOLTMETERS

Model	Input	Scale
ST125150V150V	0-150V,AC	0-150V,AC
ST125300V300V	0-300V,AC	0-300V,AC
ST125600V600V	0-600V,AC	0-600V,AC
ST125150V600V	0-150V,AC	0-600V,AC
ST125300V600V	0-300V,AC	0-600V,AC
ST125150V*V	0-150V,AC	0-*V,AC

Note:\*advise desired PT ratio / end scale value.  
Note: Also available in moving coil rectifier type.  
Please consult factory.

## 4.5" DC VOLTMETERS

Model	Input	Scale
ST125DC30V30V	0-30V,DC	0-30V,DC
ST125DC50V50V	0-50V,DC	0-50V,DC
ST125DC100V100V	0-100V,DC	0-100V,DC
ST125DC150V150V	0-150V,DC	0-150V,DC
ST125DC300V300V	0-300V,DC	0-300V,DC

## 4.5" AC AMMETERS

Model	Input	Scale
ST1255A50A	0-5A,AC	0-50A,AC
ST1255A100A	0-5A,AC	0-100A,AC
ST1255A150A	0-5A,AC	0-150A,AC
ST1255A200A	0-5A,AC	0-200A,AC
ST1255A**A	0-5A,AC	0-**A,AC

Note:\*\*advise desired CT ratio / end scale value.

## 4.5" FREQUENCY METERS

Model	Input	Scale
ST125HZ55651	120V,AC	55-65HZ
ST125HZ45651	120V,AC	45-65HZ
ST125HZ45551	120V,AC	45-55HZ
ST125HZ55652	240V,AC	55-65HZ
ST125HZ45652	240V,AC	45-65HZ
ST125HZ45552	240V,AC	45-55HZ

## 4.5" DC INDICATORS

Model	Input	Scale
ST75DC50mV/***	0-50mV,DC	0-***
ST75DC1ma/***	0-1mA,DC	0-***
ST75DC420ma/***	4-20mA,DC	0-***
ST75DC****V/***	0-****V,DC	0-***

Note:\*\*\*=advise end scale value and caption  
Note:\*\*\*\*=advise end scale voltage input.

## AVAILABLE OPTIONS

Panel Gaskets, NEMA4, Rectifier Movements (25-1000HZ), Improved Accuracy, Colored Dials, Custom Artwork, Customer Logo, ect...

### SPECIFICATION

PC&S believes in continuous product development and reserves the right to modify and alter the specifications contained in this brochure as required, and without notice.  
**WARRANTY**

PC&S, at its sole discretion, agrees to repair, or replace, or refund the purchase price of the product contained herein that are found to be defective in material or workmanship, or do not conform to specifications, if written notice is received by PC&S within 1 year from date of shipment. PC&S assumes no liability, expressed or implied beyond the obligation to repair, replace, or refund the purchase price of the defective material.



Power Measurement Specialists

1-800-523-9194

149 Main St. • Stanhope, New Jersey 07874 • Phone (973) 448-9400 • Fax (973) 448-1674 • Web Site: www.pc-s.com