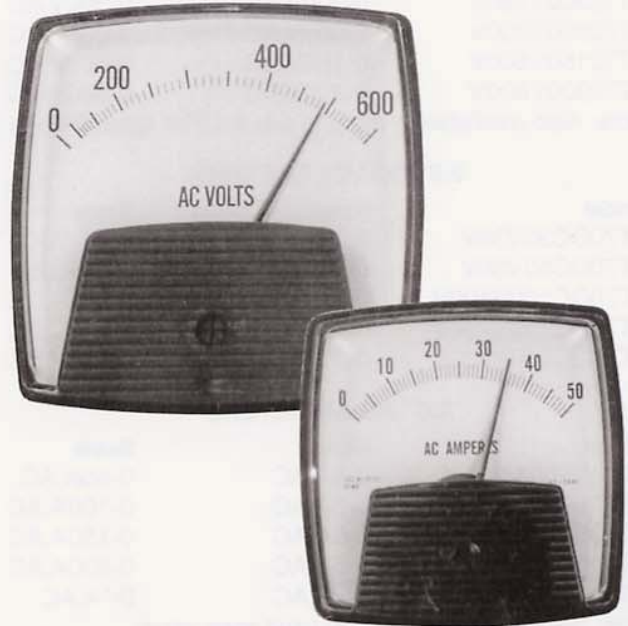




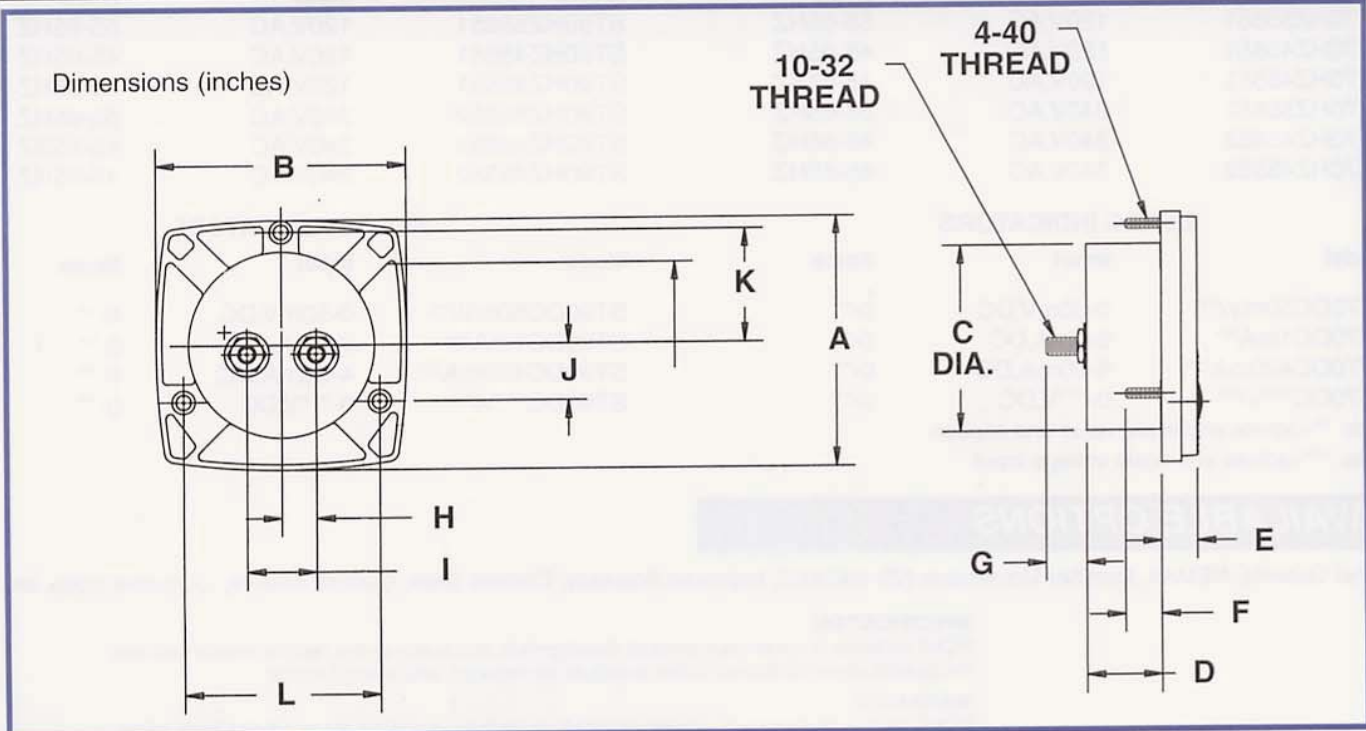
# ST70 / ST90 SERIES

## GENERAL SPECIFICATIONS - ST70 & ST90

- Size:** ST70 - 2.5" Square  
ST90 - 3.5" Square
- Accuracy:** All AC & DC Iron Vane +/-2% of Full Scale  
All AC Rectifier Type +/-3% of Full Scale  
All Frequency Type +/-0.3HZ
- Overload:** All AC & DC Voltmeters - 50% Momentary / 20% Prolonged  
All AC & DC Ammeters - 50% Momentary / 20% Prolonged  
All Frequency Type - 20% Maximum
- Burden:** AC Ammeters - 0.5VA Maximum
- Standards:** ANSI C39.1
- Approvals:** UL, CE



## DIMENSIONS



MODELS	A	B	C	D	E	F	G	H	I	J	K	L
ST70	2.7	2.7	2.1	1.2	0.5	0.5	0.5	0.6	1.3	0.6	1.2	2.1
ST90	3.5	3.5	2.7	1.2	0.5	0.5	0.5	0.6	1.3	0.8	1.6	2.7

**POWER MEASUREMENT AND CONTROL SPECIALISTS**

## STANDARD PART NUMBERS

### 2.5" AC VOLTMETERS

Model	Input	Scale
ST70150V150V	0-150V,AC	0-150V,AC
ST70300V150V	0-300V,AC	0-300V,AC
ST70600V600V	0-600V,AC	0-600V,AC
ST70150V600V	0-150V,AC	0-600V,AC
ST70300V600V	0-300V,AC	0-600V,AC

Note: Also available in moving coil rectifier type. Please consult with factory.

### 2.5" DC VOLTMETERS

Model	Input	Scale
ST70DC30V30V	0-30V,DC	0-30V,DC
ST70DC50V50V	0-50V,DC	0-50V,DC
ST70DC100V100V	0-100V,DC	0-100V,DC
ST70DC150V150V	0-150V,DC	0-150V,DC
ST70DC300V300V	0-300V,DC	0-300V,DC

### 2.5" AC AMMETERS

Model	Input	Scale
ST705A50A	0-5A,AC	0-50A,AC
ST705A100A	0-5A,AC	0-100A,AC
ST705A150A	0-5A,AC	0-150A,AC
ST705A200A	0-5A,AC	0-200A,AC
ST705A*A	0-5A,AC	0-*A,AC

Note: \*=advise desired CT ratio / end scale value.

### 2.5" FREQUENCY METERS

Model	Input	Scale
ST70HZ55651	120V,AC	55-65HZ
ST70HZ45651	120V,AC	45-65HZ
ST70HZ45551	120V,AC	45-55HZ
ST70HZ55652	240V,AC	55-65HZ
ST70HZ45652	240V,AC	45-65HZ
ST70HZ45552	240V,AC	45-55HZ

### 2.5" DC INDICATORS

Model	Input	Scale
ST70DC50mV/**	0-50mV,DC	0-**
ST70DC1mA/**	0-1mA,DC	0-**
ST70DC420mA/**	4-20mA,DC	0-**
ST70DC***V/**	0-***V,DC	0-**

Note: \*\*=advise end scale value and caption.

Note: \*\*\*=advise end scale voltage input.

### 3.5" AC VOLTMETERS

Model	Input	Scale
ST90150V150V	0-150V,AC	0-150V,AC
ST90300V300V	0-300V,AC	0-300V,A
ST90600V600V	0-600V,AC	0-600V,AC
ST90150V600V	0-150V,AC	0-600V,AC
ST90300V600V	0-300V,AC	0-600V,AC

### 3.5" DC VOLTMETERS

Model	Input	Scale
ST90DC30V30V	0-30V,DC	0-30V,DC
ST90DC50V50V	0-50V,DC	0-50V,DC
ST90DC100V100V	0-100V,DC	0-100V,DC
ST90DC150V150V	0-150V,DC	0-150V,DC
ST90DC300V300V	0-300V,DC	0-300V,DC

### 3.5" AC AMMETERS

Model	Input	Scale
ST905A50A	0-5A,AC	0-50A,AC
ST905A100A	0-5A,AC	0-100A,AC
ST905A150A	0-5A,AC	0-150A,AC
ST905A200A	0-5A,AC	0-200A,AC
ST905A*A	0-5A,AC	0-*A,AC

### 3.5" FREQUENCY NUMBERS

Model	Input	Scale
ST90HZ55651	120V,AC	55-65HZ
ST90HZ45651	120V,AC	45-65HZ
ST90HZ45551	120V,AC	45-55HZ
ST90HZ55652	240V,AC	55-65HZ
ST90HZ45652	240V,AC	45-65HZ
ST90HZ45552	240V,AC	45-55HZ

### 3.5" DC INDICATORS

Model	Input	Scale
ST90DC50mV/**	0-50mV,DC	0-**
ST90DC1mA/**	0-1mA,DC	0-**
ST90DC420mA/**	4-20mA,DC	0-**
ST90DC***V/**	0-***V,DC	0-**

## AVAILABLE OPTIONS

Panel Gaskets, NEMA4, Rectifier Movements (25-1000HZ), Improved Accuracy, Colored Dials, Custom Artwork, Customer Logo, etc.

### SPECIFICATION

PC&S believes in continuous product development and reserves the right to modify and alter the specifications contained in this brochure as required, and without notice.

### WARRANTY

PC&S, at its sole discretion, agrees to repair, or replace, or refund the purchase price of the products contained herein that are found to be defective in material or workmanship, or do not conform to specifications, if written notice is received by PC&S within 1 year from date of shipment. PC&S assumes no liability, expressed or implied beyond the obligation to repair, replace, or refund the purchase price of the defective material.



Power Measurement Specialists